



PASTA COOKER / STEAMER E1-CUISPAT1



| Description | Code |
|--------------------------|--------|
| PRO 800 B-E1 CUISPAT 1/1 | V02923 |
| PRO 800 R-E1 CUISPAT 1/1 | V02924 |
| PRO 900 B-E1 CUISPAT 1/1 | V02925 |
| PRO 900 R-E1 CUISPAT 1/1 | V02926 |



INSTALLATION MANUAL



PASTA COOKER / STEAMER E1-CUISPAT1



TABLE OF CONTENTS

| | |
|---|----------|
| INSTALLATION MANUAL | 1 |
| 1 INSTALLATION | 3 |
| 1.1 GENERAL POINTS | 3 |
| 1.2 HANDLING - INSTALLATION | 3 |
| 1.3 INSTALLATION | 3 |
| 1.4 DATA PLATE..... | 3 |
| 2 POWER CONNECTION | 4 |
| 2.1 CHECKS BEFORE PROCEEDING | 4 |
| 2.2 POWER CONNECTION | 4 |
| 2.3 CHECKS AFTER CONNECTION | 4 |
| 3 WATER CONNECTION | 4 |
| 3.1 CHECKS BEFORE PROCEEDING | 5 |
| 3.2 CONNECTING THE APPLIANCE TO THE WATER NETWORK..... | 5 |
| 3.3 ADJUSTMENT OF THE WATER FLOW | 6 |
| 4 START UP | 6 |
| 5 MAINTENANCE – INTERVENTIONS | 6 |
| 5.1 CHANGING THE HEATING ELEMENT | 6 |
| 5.2 CHANGING THE PROBES..... | 7 |
| 5.3 WIRING DIAGRAMS | 7 |
| 5.4 EXPLODED VIEWS..... | 9 |
| 5.4.1 <i>Control panel</i> | 10 |
| 5.4.2 <i>Switch box (Option automatic lifter)</i> | 10 |
| 5.5 BASIC SPARE PARTS LIST | 11 |



PASTA COOKER / STEAMER E1-CUISPAT1



1 INSTALLATION

1.1 General points

The appliance must be installed in a room with adequate ventilation, in compliance with the regulations and standards in force in the country of installation, and with the instructions contained in this manual. Special attention must be paid to the local fire prevention regulations of the organization concerned (see [Public Access Premises]).

Please train every user in the operation of the equipment after installation.

The user's manual must be given to the user after installation.

Any intervention or repair on an appliance must be undertaken by a qualified installer.

WARRANTY: The warranty is discussed in our sale contract. This warranty does not cover damage due to faulty installation, misuse or inadequate maintenance.

1.2 Handling - Installation

It is imperative to leave the appliance on its pallet during the handling process until the final installation.

Unpack and check the appliance for damage upon receipt.

In case of damage, detail them immediately on the delivery note; notify the carrier by registered mail with acknowledgement of receipt within 48 hours.

1.3 Installation

The appliance must be installed under a suitable aspiration hood.

If the apparatus is to be installed against a wall or partition, near a piece of furniture or decorative borders, it is recommended that these are made of fireproof material. If this is not the case, they must be protected by an appropriate fireproof, insulating material. If in doubt of the fireproof construction of adjacent walls, the distance to combustible material should be no less than 10 cm.

Remove all plastic protection.

Install the appliance in its work place in the cooking zone.



- **Fixed appliance:**

Install the feet (they are delivered in a separate box inside the appliance).

Level the appliance by adjusting the height of the feet until the working surface is level (H: 900 mm).

- **Mobile appliance:**

The castors with brakes must be locked when the appliance is being connected and during cooking. Fix all independent half modules against the wall.

Remember to use the security chain.

1.4 Data plate



Position of the data plate : inside the cabinet
B-E1 CUISPAT 1/1



Position of the data plate : to the back
R-E1 CUISPAT 1/1

Figure A



PASTA COOKER / STEAMER E1-CUISPAT1



2 POWER CONNECTION



The appliance must be earth wired.
It is dangerous to connect the appliance unless it is earthed.
Use a standardized cable (245 IEC 57 or 245 IEC 66) or other approved cable with the same characteristics.
Check that the electric network is equipped with all-pole circuit breakers having a cross section in compliance with the European Standard EN 60335-1



Mobile appliances are equipped with an electrical plug of the correct wattage; the socket should be appropriate and accessible at all times.

2.1 Checks before proceeding

Before connecting the appliance, check that:

- The electrical voltage of the supply is compatible with the voltage of the appliance (see data plate)
- The cable is fixed properly
- The connections are tight enough
- The cross section of the cable is compatible with the voltage of the appliance.

2.2 Power connection

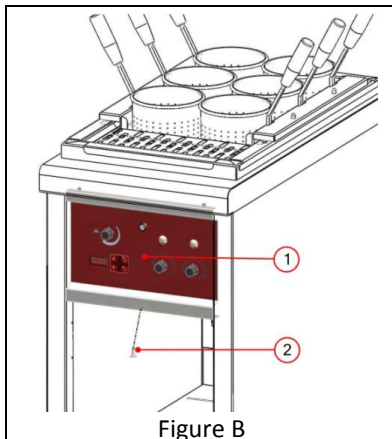


Figure B

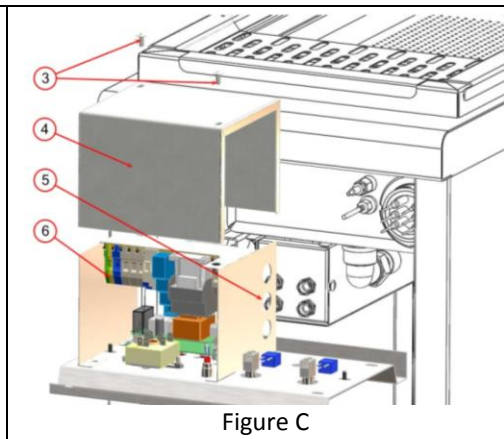


Figure C

- Unscrew the front control panel (see § 6.1) Thread cable through the terminal box (fig. A)
- Connect cable to the terminals, and follow the information written on the terminal box.
- The power connection is to the terminal block behind the front control panel fig. 2).



Before reassembling the parts, check that the electrical equipment is properly insulated (condition of the cable).

2.3 Checks after connection

After connection, ensure that:

- The appliance is earth wired (see the warnings)
- The electrical equipment is well insulated
- The good working conditions of the appliance and of its safety controls.

3 WATER CONNECTION



The appliance incoming water supply must be of conditioned water.
Warranty is void if this is not shown to be installed.



PASTA COOKER / STEAMER E1-CUISPAT1



3.1 Checks before proceeding

- Purge the supply water pipe and clean the filter,
- Check that both siphon and waste pipe are free of obstructions.

3.2 Connecting the appliance to the water network

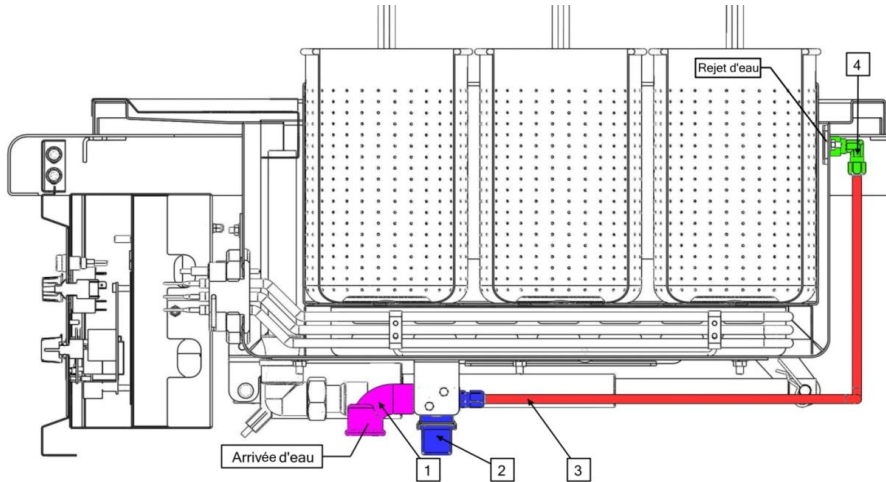


Figure D

| Mark | Description | Mark | Description |
|------|----------------------|------|---|
| 1 | Connecting bend | 3 | Copper connection for water supply 6/8. |
| 2 | 2-way solenoid valve | 4 | Nipple 15x21 for connecting hose. |

Connect the water supply pipe to the connecting bend 15/21

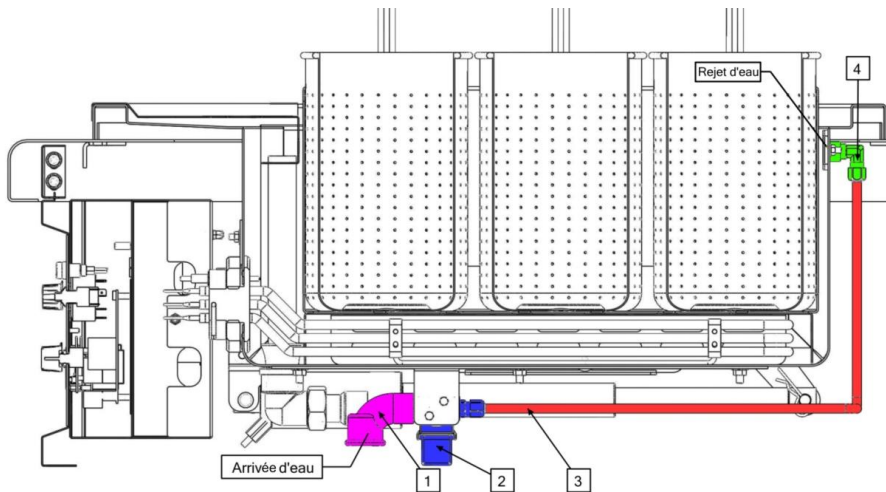


Figure E

| Mark | Description | Mark | Description |
|------|---|------|-------------------------|
| 1 | Wastewater discharge connection. (ø 26/34) | 4 | Overflow system (tube). |
| 2 | Elbow 26x34 | 5 | Overflow housing. |
| 3 | Drain outlet. (Remove the overflow pipe to drain the tank.) | | |

Connect the wastewater discharge to the waste



PASTA COOKER / STEAMER E1-CUISPAT1



- Dévisser la vis de blocage avec une clé. (Figure I rep 5)
- Tourner la résistance dans le sens horaire. (Figure I rep 6,7,8)

3.3 Adjustment of the water flow

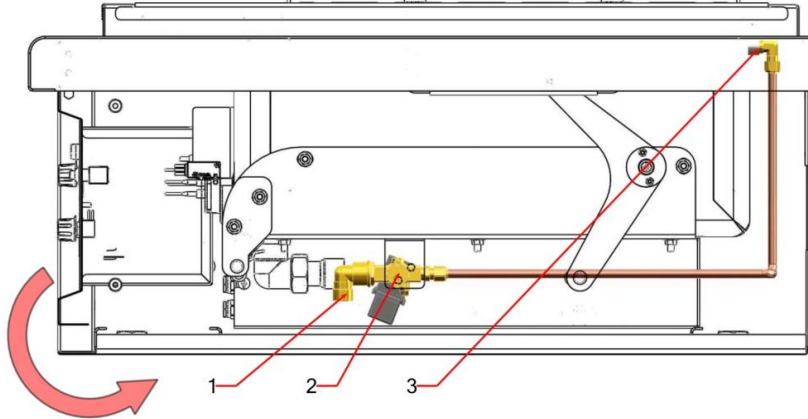


Figure F

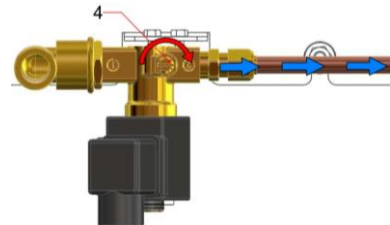


Figure G

To reduce the water flow turn the screw Figure G mark 4 clock wise
To increase the flow, turn the screw Figure G mark 4 counter clockwise.

4 START UP

Please see the user's manual, section 'Start up'

5 MAINTENANCE – INTERVENTIONS

5.1 Changing the heating element

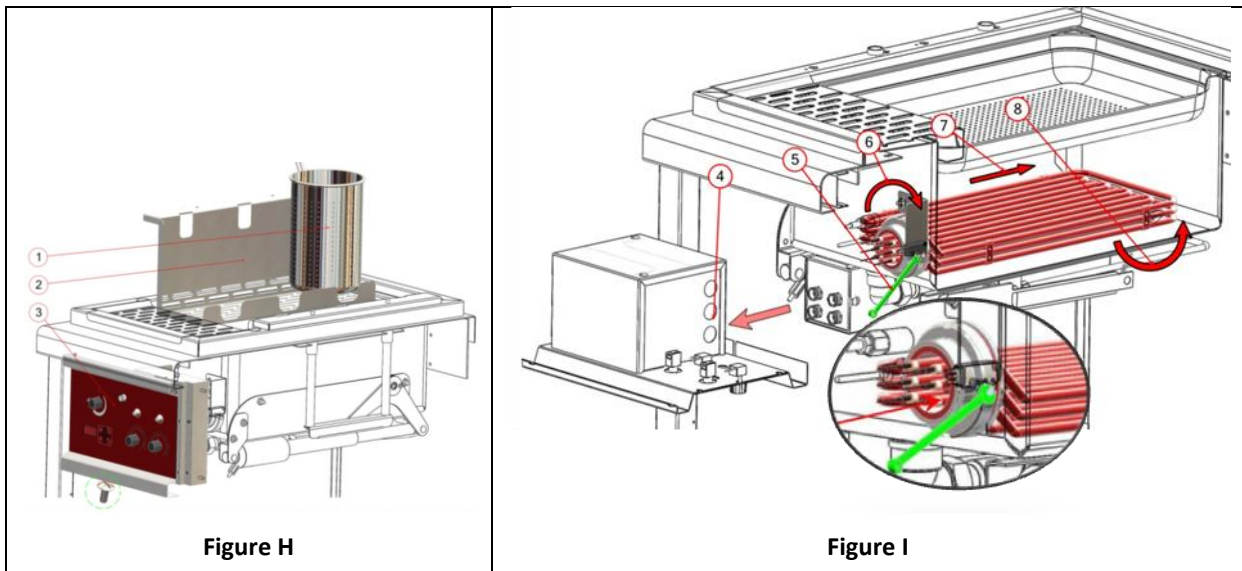


Figure H

Figure I

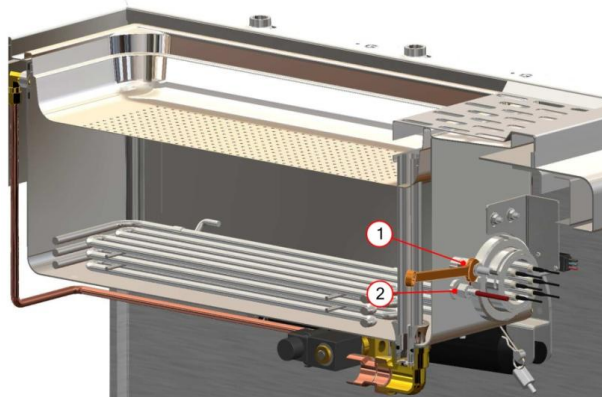
- Remove the baskets, baskets support (if option basket lifting) and the perforated double bottom (Figure H marks 1 and 2)
- Remove the control panel (Figure H mark 3, loosen the screw under)
- Disconnect the heating element from the terminal box (Figure I mark 4)
- Unscrew the locking screw (heating element).Figure I mark 5
- Pull and lift the heating element (Figure I mark 7,8)



PASTA COOKER / STEAMER E1-CUISPAT1



5.2 Changing the probes



Remove the control panel (see §5.1)
Disconnect the probe from the regulator board
Unscrew the probe using an open-end spanner
Remove the probe.

(Note :

Level probe Figure J mark 1

Temperature probe (PT100) Figure J mark 2

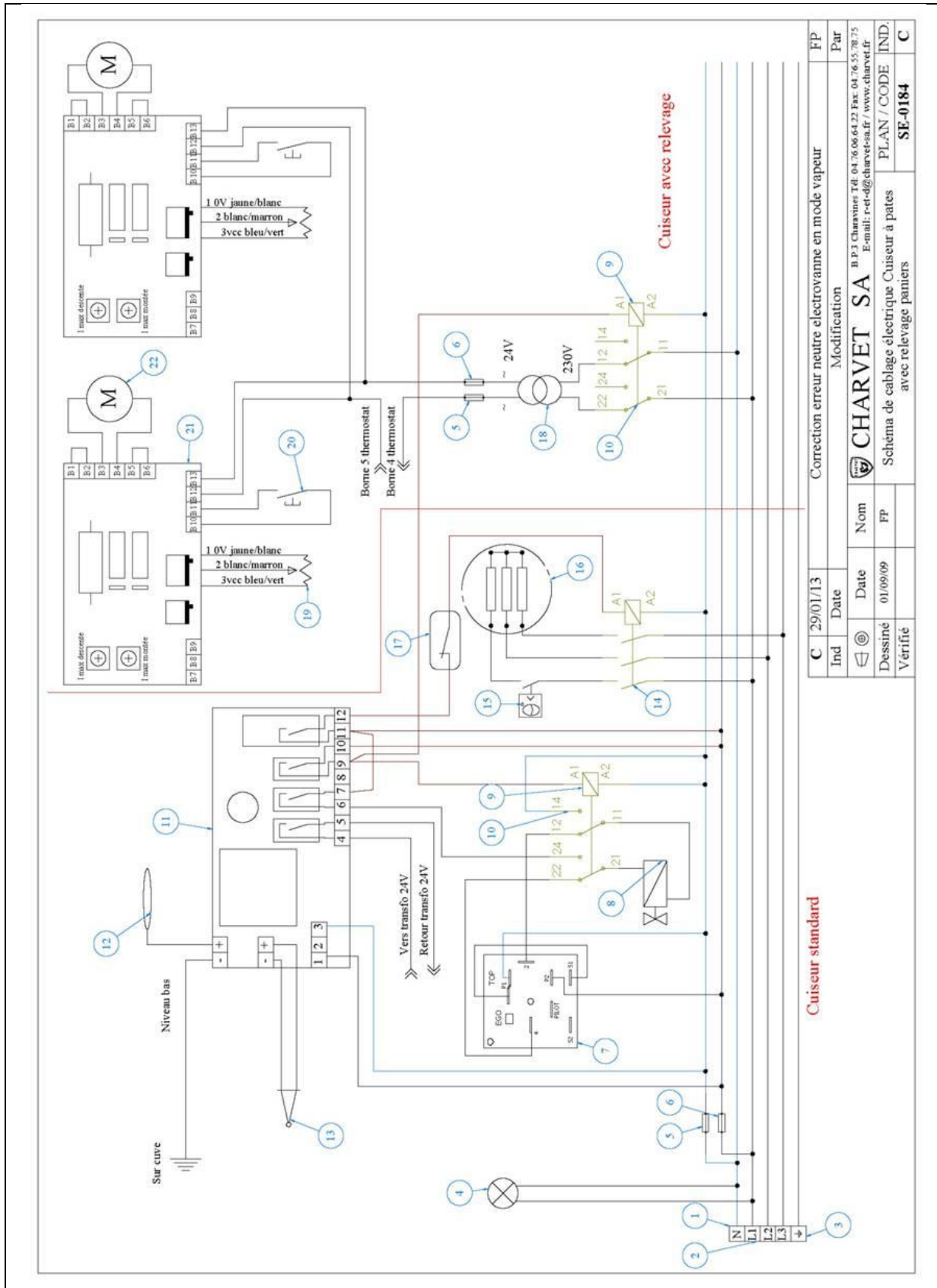
Figure J

5.3 Wiring diagrams

| Mark | Description | Code | Mark | Description | Code |
|------|---------------------------|--------|------|-------------------------------|---------|
| 1 | Earth connection | 03575A | 10 | Relay holder | 08243A |
| 2 | 3 x Live connections | 02468A | 11 | Electronic thermostat 0-100°C | 504923 |
| 3 | Neutral connection | 03575A | 12 | Water level probe | 168229 |
| 4 | White light indicator | 505925 | 13 | PT 100 temperature probe | 504925 |
| 5 | Neutral junction block | 02726A | 14 | 400V 25 A Contactor | 00080A |
| 6 | Fuse holder | 500237 | 15 | Thermostat 30-110°C | 505935 |
| | 5A Fuse | 03413A | 16 | 11 kW heating element | 504138 |
| | 2 pole connection block | 500239 | 17 | Microswitch | 501099 |
| | Ring for connection block | 500240 | 18 | 230/24V Transformer | 05917A |
| 7 | Simmerstat | 09088A | 19 | Potentiometer | 09025A |
| 8 | 2-Way solenoid ¼ 230V | 05405A | 20 | Push button | ELE0018 |
| 9 | Relay | 08164A | 21 | Basket lifting control board | 09024A |
| | | | 22 | Basket lifter | 08559A |



PASTA COOKER / STEAMER E1-CUISPAT1

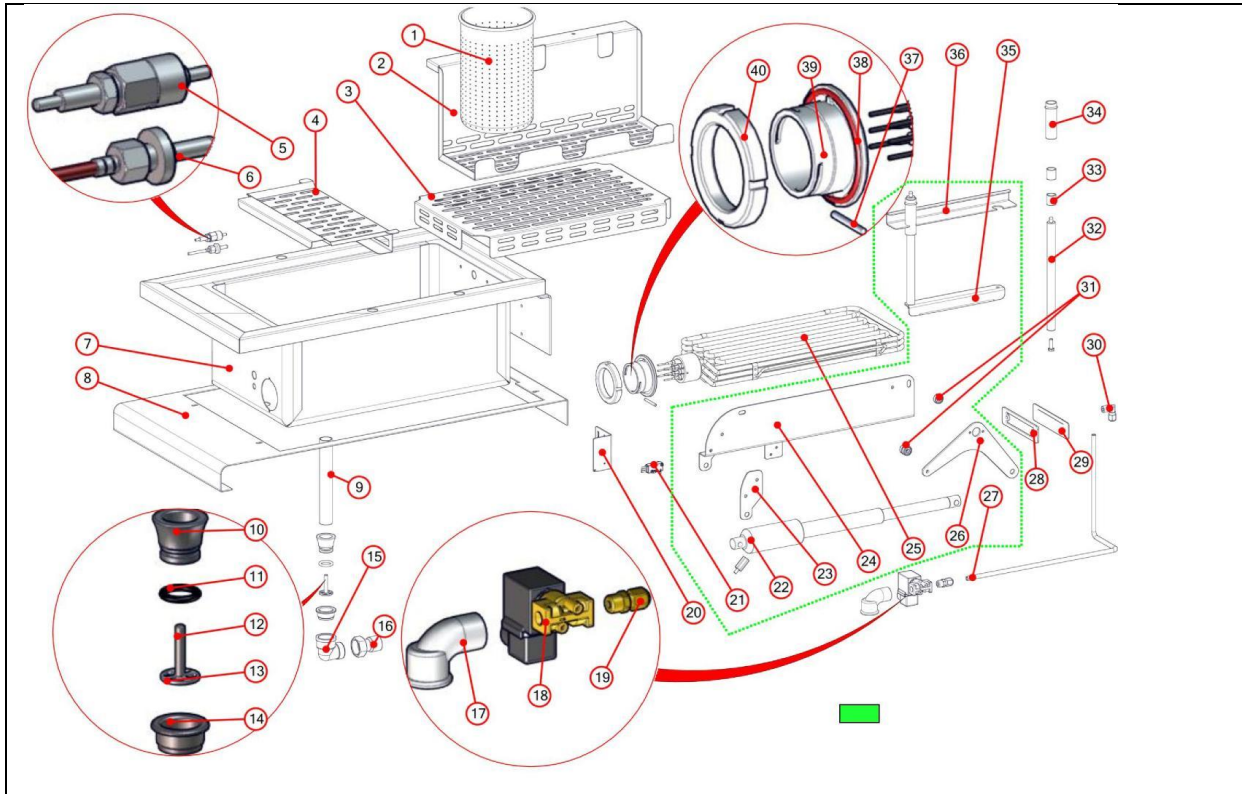




PASTA COOKER / STEAMER E1-CUISPAT1



5.4 Exploded views



| Marks | Description | Code | Marks | Description | Code |
|-------|--|---------|-------|--|------------------|
| 01 | Basket $\varnothing 152$ | 500638 | 21 | Waterproof microswitch | 501099 |
| 02 | Basket support | 168030 | 22 | Electric actuators (basket lifter) | 08559A |
| 03 | Perforated double bottom | 168040 | 23 | Flange plate for actuator mount | 168051 |
| 04 | Drain plate | 168029 | 24 | Actuator mount (right) | 168053 |
| 05 | Level probe (Steam mode) | 02655A | 25 | Tilting heating element 11 kW | 504138 |
| 06 | Temperature probe (PT 100) | 504925 | 26 | Connecting rod (for lifter) | 168031 |
| 07 | Complete pasta cooker tank | 168057 | 27 | Copper pipe 6/8 to connect water | |
| 08 | Complete pasta cooker top | 168231 | 28 | Overflow port for pasta cooker | 169386 |
| 09 | Overflow tube $\varnothing 25 \times 1.25$ | 168046 | 29 | Silicone joint for overflow port | 505410 |
| 10 | Conical overflow outlet | 501072 | 30 | Male elbow | 08957A |
| 11 | O-ring for drain outlet | Div0839 | 31 | Bearings for auto lifter | 04254A |
| 12 | Pin (to block heating element) | Vis0120 | 32 | Rod $\varnothing 16$ (for basket lifter) | 504903 |
| 13 | Strainer for removable filter | 168225 | 33 | Slip ring (for basket lifter) | 05736A |
| 14 | Drain outlet 26/34 | 09230A | 34 | Guide tube (for basket lifter) | 504338 |
| 15 | Elbow 26x34 | 502693 | 35 | Guide for bearing (for lifter) | 168052 |
| 16 | Solder-joint fitting 26/34 + nut | EAU0043 | 36 | Fixing flange | 168047 |
| 17 | Elbow 15x21 | 500986 | 37 | Locking screw (for heating element) | 504138 |
| 18 | 2-way solenoid valve 1/2 230 | 05405A | 38 | O-ring for pivot (heating element) | 506170 506171 |
| 19 | Male coupling | 07953A | | | |
| 20 | Limit detector mount for heating element | 168064 | | | |

CHARVET

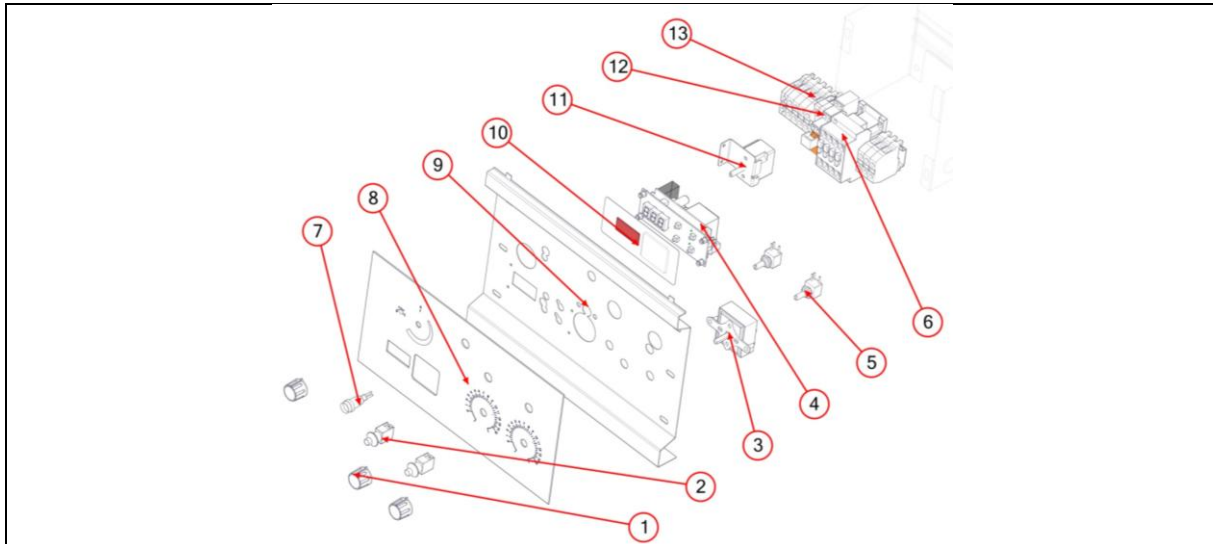
F-38850 – CHARAVINES
Tél : + 33 (0)4 76 06 64 22
Fax : +33 (0)4 76 55 78 75
e-mail : info@charvet-sa.fr
e-mail : sav@charvet-sa.fr



PASTA COOKER / STEAMER E1-CUISPAT1

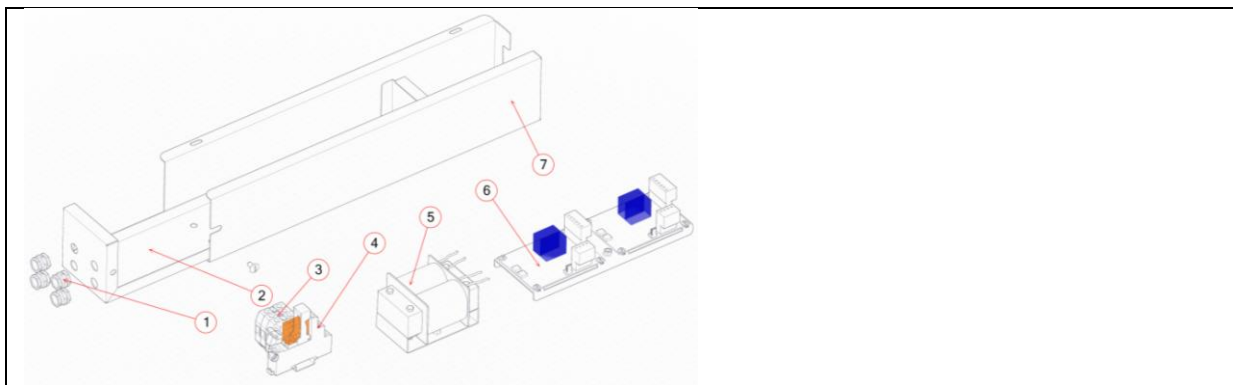


5.4.1 Control panel



| Marks | Description | Code | Marks | Description | Code |
|-------|-----------------------------|---------|-------|------------------------------------|--------|
| 1 | Handel for potentiometer | 07247A | 8 | Enamelled coating for pasta cooker | 504981 |
| 2 | Lifter button | ELE0018 | 9 | Stainless steel control panel | 101579 |
| 3 | Simmerstat | 09088A | 10 | Red lexan | 504977 |
| 4 | Temperature controler board | 504923 | 11 | Thermostat 30°-110°C | 505935 |
| 5 | Potentiometer | 09025A | 12 | Relay | 08243A |
| 6 | Contactor | 00080A | | Relay holder | 08164A |
| 7 | White indicator light | 505925 | 13 | Terminal block | |

5.4.2 Switch box (Option automatic lifter)



| Marks | Description | Code | Marks | Description | Code |
|-------|----------------|--------|-------|----------------------|--------|
| 1 | Cable gland | 02513A | 5 | Transformer | 05917A |
| 2 | Terminal block | 169906 | 6 | Lifter control board | 07832A |
| 3 | Terminal block | | 7 | Terminal box holder | 169987 |
| 4 | Relay | 08243A | | | |
| | Relay holder | 08164A | | | |



PASTA COOKER / STEAMER E1-CUISPAT1



5.5 Basic spare parts list

| Code | Description | Code | Description | Code | Description |
|-----------------------------------|---|----------------------------------|---|-----------------------------|---|
| 00080A |  | 504138 |  | 08243A |  |
| Contactor | | Heating element 11 kW | | Relay | |
| 08164A |  | 501099 |  | 505925 |  |
| Relay holder | | Microswitch | | White indicator light | |
| 09088A |  | 07247A |  | 504923 |  |
| Simmerstat | | Potentiometer handel | | Temperature control board | |
| 504977 |  | 505935 |  | 504925 |  |
| Lexan | | Thermostat | | Temperature probe PT100 | |
| 05405A |  | 168229 |  | 168065 |  |
| 2-Way solenoid | | Water level probe | | Overflow pipe (cooker mode) | |
| 169389 |  | DIV0839 | | 08865A |  |
| Overflow pipe (steamer mode) | | O Ring for overflow pipes | | Push button (Option lifter) | |
| 168063 |  | 168065 |  | 05917A |  |
| Assembled lifter actuator (Right) | | Assembled lifter actuator (Left) | | Transformer | |
| 08559A |  | 09025A |  | 09024A |  |
| Linear actuator | | Potentiometer | | Lifter control board | |



PASTA COOKER / STEAMER E1-CUISPAT1



| Description | Code |
|--------------------------|--------|
| PRO 800 B-E1 CUISPAT 1/1 | V02923 |
| PRO 800 R-E1 CUISPAT 1/1 | V02924 |
| PRO 900 B-E1 CUISPAT 1/1 | V02925 |
| PRO 900 R-E1 CUISPAT 1/1 | V02926 |



USER'S INSTRUCTIONS



PASTA COOKER / STEAMER E1-CUISPAT1



TABLE OF CONTENTS

| | | |
|----------|--|----------|
| 1 | INTRODUCTION..... | 3 |
| 2 | CONTROL PANEL | 3 |
| 3 | PRIOR TO STARTING UP | 3 |
| 4 | STARTING UP | 3 |
| 4.1 | OPERATION – PASTA COOKER MODE..... | 3 |
| 4.2 | OPERATION – BASKET LIFT..... | 4 |
| 4.3 | OPERATION – STEAMER MODE | 4 |
| 5 | MAINTENANCE..... | 4 |
| 5.1 | WARNINGS..... | 4 |
| 5.2 | CLEANING | 4 |
| 5.2.1 | <i>Cleaning the stainless steel surface.....</i> | <i>5</i> |
| 5.2.2 | <i>Cleaning the tank</i> | <i>5</i> |
| 6 | BASIC SPARE PARTS LIST | 5 |



PASTA COOKER / STEAMER E1-CUISPAT1



1 INTRODUCTION



Our equipment is for professional use only and must be used by qualified staff. It is imperative to hire a qualified installer for all new installations or modifications of existing equipment.

The warranty is discussed in our sale contract. Only an authorized reseller certifies the validity of the warranty. This warranty does not cover damage due to faulty installation, misuse or inadequate maintenance.

2 CONTROL PANEL

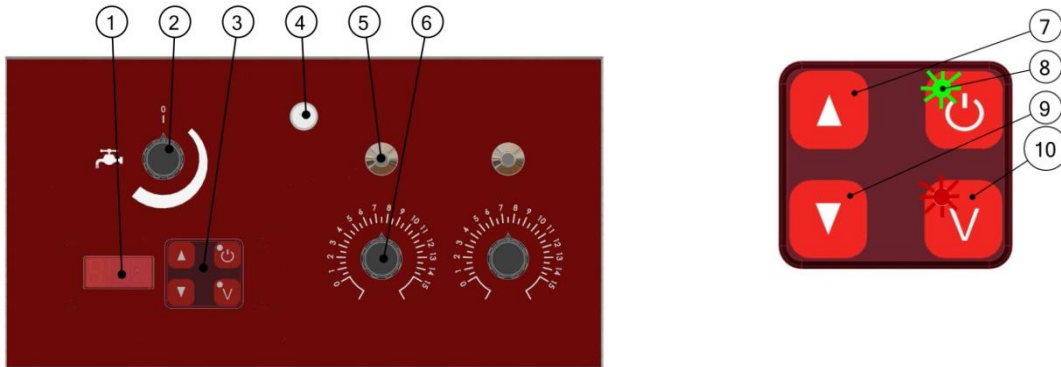


Figure K

| Mark | Description | Mark | Description |
|------|---|------|---|
| 1 | Digital display (Water temperature) | 6 | Timer - During lifting operation (Option) |
| 2 | Water filling control knob | 7 | Increasing the temperature |
| 3 | Control panel (Lexan display panel) | 8 | Electric ignition push button |
| 4 | Power on: white indicator | 9 | Reducing the temperature |
| 5 | Push button to raise/lower the baskets (Option) | 10 | Push button to turn on steamer mode* |

3 PRIOR TO STARTING UP

- Prior to starting up, it is advisable to clean the tank in order to eliminate all dust and impurities that have accumulated during storage. (See Cleaning of the tank.)
- Fill the tank turning the knob (see the control panel) until the water runs in the overflow.
- Turn off the water filling.
- Preheating phase: Turn on the pasta cooker, then select a temperature. (§ 2)
- Let the pasta cooker warm-up for about 10 minutes.
- Drain the tank.
 - Ensure to turn the apparatus off by setting the energy regulator to the "0" mark,
 - and take the waste overflow pipe off to allow water running through the sluice gate.
- Clean the tank with a sponge to eliminate all remaining impurities.

4 STARTING UP

4.1 Operation – Pasta coker mode



Tall overflow pipe must be inserted into waste hole in base of the tank.



PASTA COOKER / STEAMER

E1-CUISPAT1



- Turning on: Press button item 8 on Figure K once green indicator light item 8 on Figure K illuminates.
- Turn the control knob item 2 on Figure K fully until tank fills to level of tall over flow pipe.
Once tank has filled turn control knob item 2 on Figure K to off position.
- Using up arrow button 7 on Figure K set LED display to highest temperature setting. (*Heating of water may take up to 10 minutes to reach boiling point*)
- Once boiling temperature has been reached use down arrow button 9 on Figure K to control rate of boiling.
- If water level is to be increased, turn control knob item 2 on Figure K to desired flow rate.

4.2 Operation – Basket lift

- Turn on the appliance. (§4.1 Operation Pasta Cooker Mode)
- Set the desired cooking time using control knob in Figure K.
- Press chrome control button to lower baskets item 5 on Figure K.
- Baskets will rise once timer control knob reaches 0.
- Baskets can be raised at any time by pressing chrome control button item 5 on Figure K.

4.3 Operation – Steamer mode



**Short overflow pipe must be inserted into waste hole in base of the tank.
Before using the steamer mode, lower the baskets.
In steamer mode, the basket lifter is disabled.**



**In steamer mode, water filling is controlled automatically.
Water level is regulated automatically**

- Press button 8 on Figure K green indicator light on button 8 illuminates.
- Select required temperature using up/down arrow buttons 7/10 on Figure K.
- Press button 10 (V) to activate steamer mode Figure K.

5 MAINTENANCE

5.1 Warnings



For best results, have your equipment serviced and cleaned on a regular basis by a qualified installer.
Contact the supplier to replace any faulty electric control components before further use.
The manufacturer and the installer cannot be held responsible if the user fails to ask for assistance in case of malfunction.



Beware! Some parts of this appliance are factory sealed; in case of malfunction, call a registered installer.

5.2 Cleaning



**This appliance must not be cleaned with mechanical water jets or be subject to a spray of water under pressure. Check that the appliance is disconnected at the main power supply.
Before doing anything on the appliance, wait until cooking areas have cooled down.**



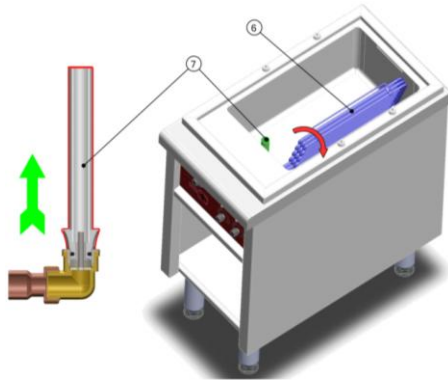
PASTA COOKER / STEAMER E1-CUISPAT1



5.2.1 Cleaning the stainless steel surface


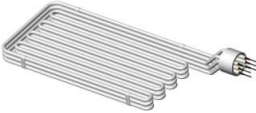







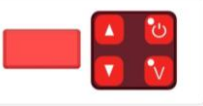


- Switch off the appliance. After each service and before each cleaning operation, we advise you to disconnect the appliance from the mains (gas and electric supplies).
- Wash with a sponge and soapy water (or any other neutral cleaning product).
- After each cleaning, rub with an oily rag.
- Do not use bleach or any other acidic product-even well diluted.

5.2.2 Cleaning the tank



- Switch off the appliance. (Wait until the temperature has dropped to become bearable).
- Remove the removable parts from the tank
- Swivel the heating element to the right.
- Clean the tank and the dismantled parts with a sponge in soapy water (or any other neutral cleaning product)
- Rinse thoroughly and drain through the waste outlet.
- Dry carefully the tank and the dismantled parts.
- Refit in order all the parts.












6 BASIC SPARE PARTS LIST

| Code | Description | Code | Description | Code | Description |
|--------------|---|-----------------------|---|---------------------------|---|
| 00080A |  | 504138 |  | 08243A |  |
| Contactor | | Heating element 11 kW | | Relay | |
| 08164A |  | 501099 |  | 505925 |  |
| Relay holder | | Microswitch | | White indicator light | |
| 09088A |  | 07247A |  | 504923 |  |
| Simmerstat | | Potentiometer handel | | Temperature control board | |
| 504977 |  | 505935 |  | 504925 |  |
| Lexan | | Thermostat | | Temperature probe PT100 | |



PASTA COOKER / STEAMER E1-CUISPAT1



| Code | Description | Code | Description | Code | Description |
|-----------------------------------|---|----------------------------------|--|-----------------------------|--|
| 05405A |  | 168229 |  | 168065 |  |
| 2-Way solenoid | | Water level probe | | Overflow pipe (cooker mode) | |
| 169389 |  | DIV0839 | | 08865A |  |
| Overflow pipe (steamer mode) | | O Ring for overflow pipes | | Push button (Option lifter) | |
| 168063 |  | 168065 |  | 05917A |  |
| Assembled lifter actuator (Right) | | Assembled lifter actuator (Left) | | Transformer | |
| 08559A |  | 09025A |  | 09024A |  |
| Linear actuator | | Potentiometer | | Lifter control board | |