

# 'Electric' Bain-Marie

---

**Series: PRO900**

**Boiler: B-E1BME1/1  
R-E1BME1/1**



**Boiler: B-E1BME2/1  
R-E1BME2/1**



- ✓ V02002 – V01820: ½ PRO900 B-E1BME1/1 - R-E1BME1/1
- ✓ V01978 – V01821: PRO900 B-E1BME2/1 - R-E1BME2/1

***Installation Manual***



# 'Electric' Bain-Marie

---

## 1. INSTALLATION

### 1.1. General

Installation must be carried out in accordance with both currently accepted practices and the instructions contained in this manual as well as with current regulations in the country concerned.

**After installation, the user manual must be returned to the user.**

### 1.2. Handling - Setting Up

When handling it, the unit must be left on its wooden base until placed in its final position.

Remove the packaging and check the condition of the unit.

If there is any damage, indicate the details on the delivery note and confirm then no later than within 48 hours by recorded delivery to the carrier.

### 1.3. Location

SEE Technical Data Sheets

The unit must be installed under an extractor hood.

If the unit is to be installed near a wall, a partition, a piece of furniture or decorative surrounds, these should preferably be made of non-flammable materials.

If they are not, they must be covered by the appropriate non-flammable heat-insulated materials.

*Special attention must be paid to the fire regulations governing the building concerned (SEE local regulations).*

In case of doubt as to the materials, leave a space of 10cm around the unit.

- Remove all the plastic casing protectors.
- Attach the legs (these will be found in a carton in the unit's boiler).
- Adjust the legs to level the unit and to obtain a horizontal cooking top height of 900 mm.

### 1.4. Electrical Connection

The unit must be installed in accordance with currently accepted practices, the instructions contained in this manual and current regulations and standards in the country concerned.

#### **IMPORTANT:**

Use standard cable (245 IEC 57 or 245 IEC 66) or any other type of cable with the same characteristics.

The unit is permanently connected to a fixed electrical conduit, which should be protected against leakage currents.

The unit is connected by a cable fitted with the appropriate plug; this must be accessible at all times.



# 'Electric' Bain-Marie

---

- Before connecting:
  - Check that mains voltage is compatible with the unit's voltage and power (SEE rating plate).
  - Check that the user's fixed installation includes multipolar switchgear with a distance between contacts of 3mm.

The unit is factory-wired for the voltage shown on the order:

- EBM 1/1 SINGLE-PHASE 230 V ~ + E
- EBM 2/1 THREE-PHASE 400 V ~ + E

CHANGE OF VOLTAGE:

- The resistors are connected for this voltage.
- For voltage changes, SEE the wiring diagram.

## 1.5. Switching on

### 1.5.1. Preliminary Checks

Before you switch on the unit, check to make sure that:

- mains voltage is compliant;
- the cable is properly secured;
- the connections are tight;
- the unit is earthed;
- the cable section is the right one for the power;
- the electrical equipment is insulated;
- the phase currents are compliant;

### 1.5.2. Settings

The electrical components do not normally require any settings.

### 1.5.3. Start-up

(Refer to the User Start-up section.)



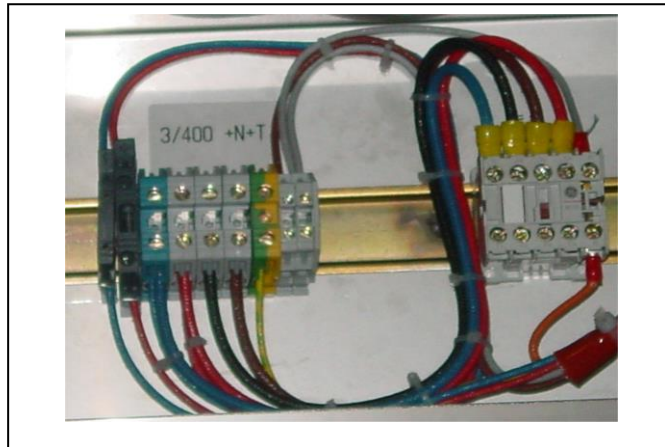
**Never start the boiler up with the boiler empty.**

# 'Electric' Bain-Marie

## 2. CONNECTIONS

### 2.1. Electrical Connection

- Remove the front cover to access the distribution box (held by clips).
  - Thread the cable through the RHS upright of the frame and into the box via the rear hole.
  - Connect the feeder cable to the terminals as shown in the figures below. Follow the indications on the box's label.
- Before reassembling, check the unit is properly insulated (condition of the cables).



**The unit must be earthed.  
It is dangerous to start the unit up if it is not earthed.**

**We cannot be held liable for any accidents caused by the absence of an earth connection or faulty earth connection.**

### WIRING DIAGRAMS:

Unit	Voltage	Wiring Diagram No
EBM 1/1	1 ~ 230 V + E	SE0003 / 00
EBM 2/1	3 ~ 400 V + E	SE0004 / 00
Heating Insert GN1/1	1 ~ 230 V + E	SE0005 / 00
Heating Insert GN2/1	3 ~ 400 V + E	SE0006 / 00

### 2.2. HW Valving Option CW

With orders including the CW mixer tap valving option. CW on the unit: connection is to the CW stop valves. Mains CW supply.  
Fit the non-return valves to the two feed pipes before connecting up.

# 'Electric' Bain-Marie

## 3. SERVICING AND TROUBLESHOOTING



**Any servicing or troubleshooting must be done by a qualified installer.**

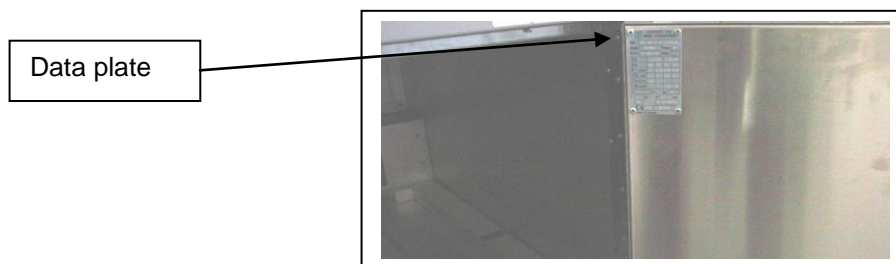
**The unit must be isolated from the electricity mains or the appropriate warning given and notice displayed until the work is completed.**

The unit is ready for use. Now train the users in its use (SEE User Manual).

Officially hand over the relevant documents to the Kitchen Manager.

Each unit carries a data plate.

Transfer the details on the data plate to the part of the manual provided for this purpose.



This will facilitate communications with your customer and so ensure better service.




**GUARANTEE:** *The guarantee is included in the sales agreement.*

*The guarantee does not cover damage caused by faulty installation, misuse or inadequate maintenance.*



# 'Electric' Bain-Marie

## 4. PRIORITY PARTS LIST

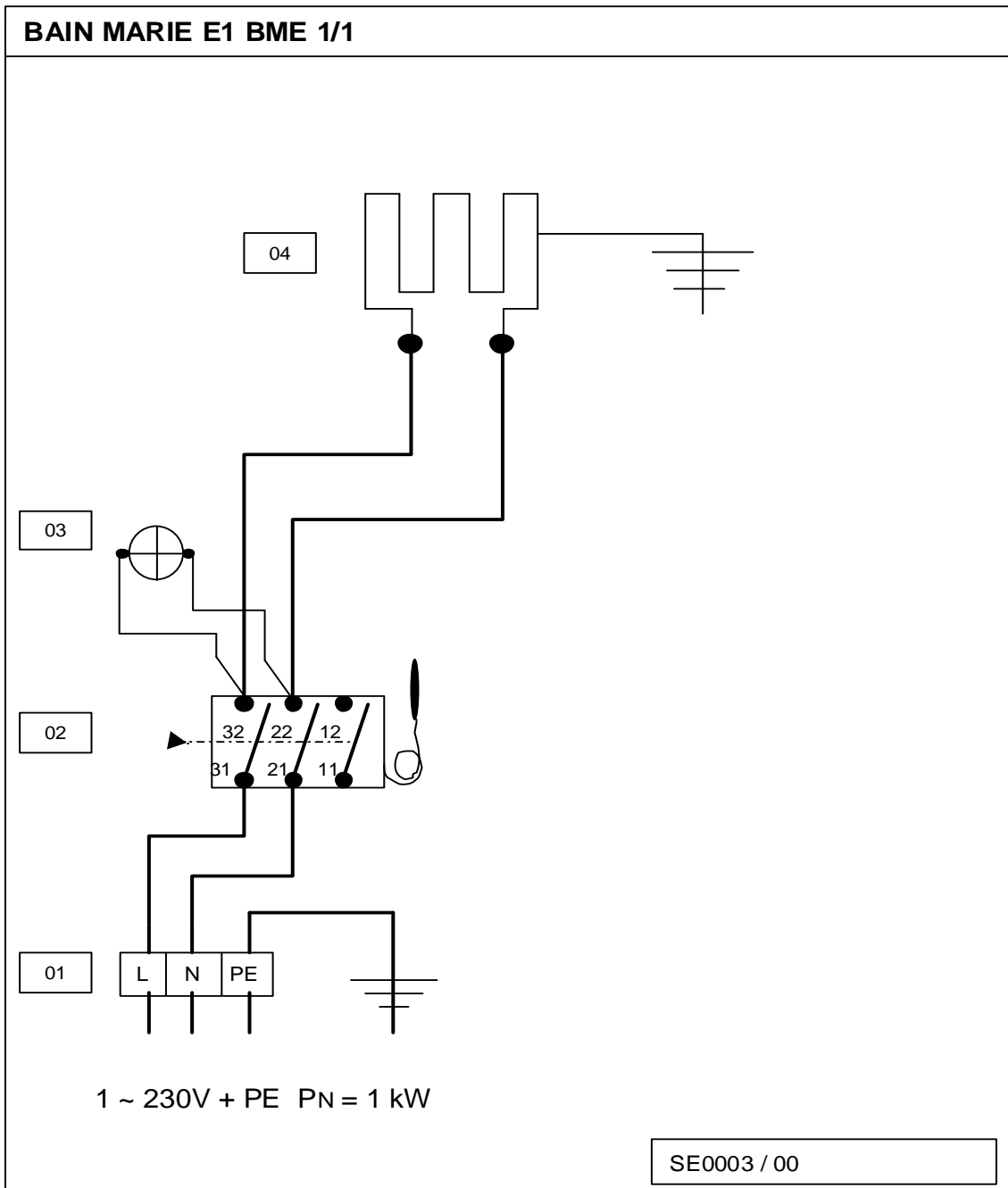
Description	Code	Photo	Description	Code	Photo
Bain-marie Resistor 1000W 230V	06835A		Drain Ball Valve $\phi$ 15/21	03922A	
Regulating Thermostat 30 - 110 °C	01995A		Heating Insert Resistor 750W 230V	02060A	
Red Indicator 400 V 230 V	505924 505914		Wiring	02371A	
			Electric knob	501146	

# 'Electric' Bain-Marie

---



# 'Electric' Bain-Marie



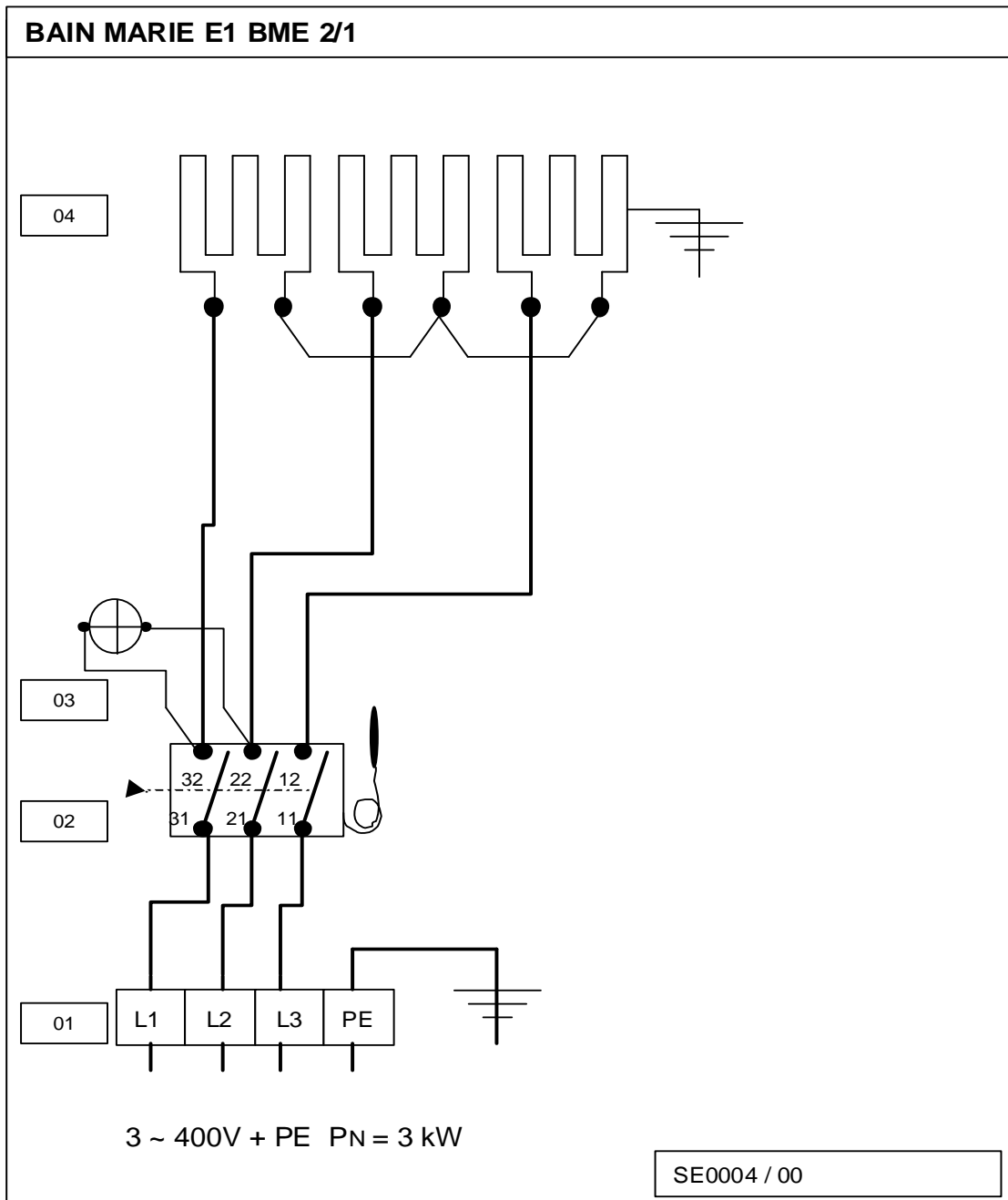
**PARTS LIST: BAIN-MARIE E1 BM 1/1 (Diagram SE0003 / 00)**

Mark	Code	Description	Qty
01	02468A	Viking 10 mm <sup>2</sup> Terminal	2
01	03575A	Viking 10 mm <sup>2</sup> Earth Terminal	1
02	01995A	Three-pole 30 - 110°C Thermostat	1
03	07137A	Red Indicator	1
04	06835A	1000W 230V electric element	1





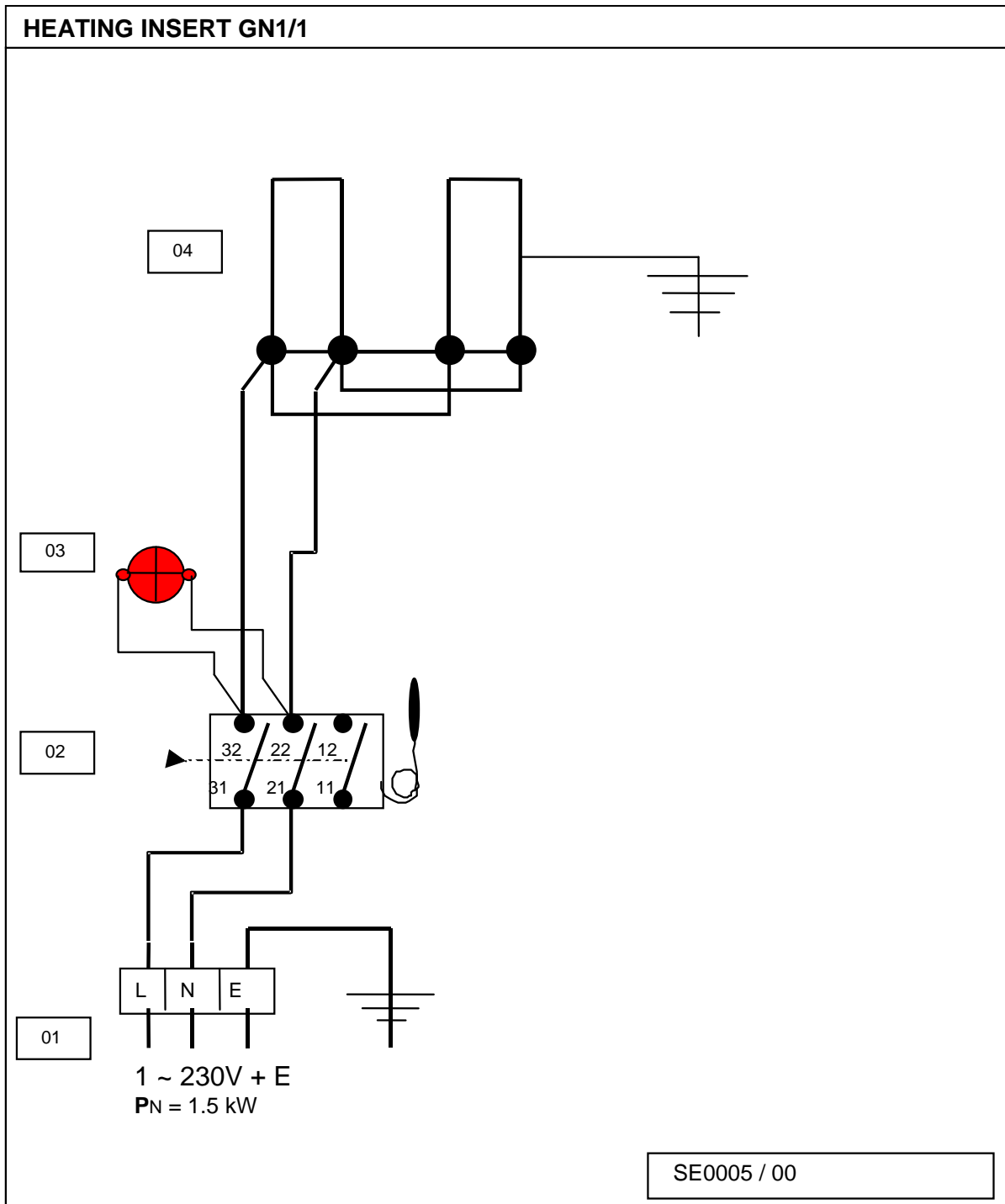
# 'Electric' Bain-Marie



## PARTS LIST: BAIN-MARIE E1 BM 2/1 (Diagram SE0004 / 00)

Mark	Code	Description	Qty
01	02468A	Viking 10 mm <sup>2</sup> Terminal	3
01	03575A	Viking 10 mm <sup>2</sup> Earth Terminal	1
02	01995A	Three-pole 30 - 110°C Thermostat	1
03	07136A	Red Indicator	1
04	06835A	1000W 230V electric element	3

# 'Electric' Bain-Marie

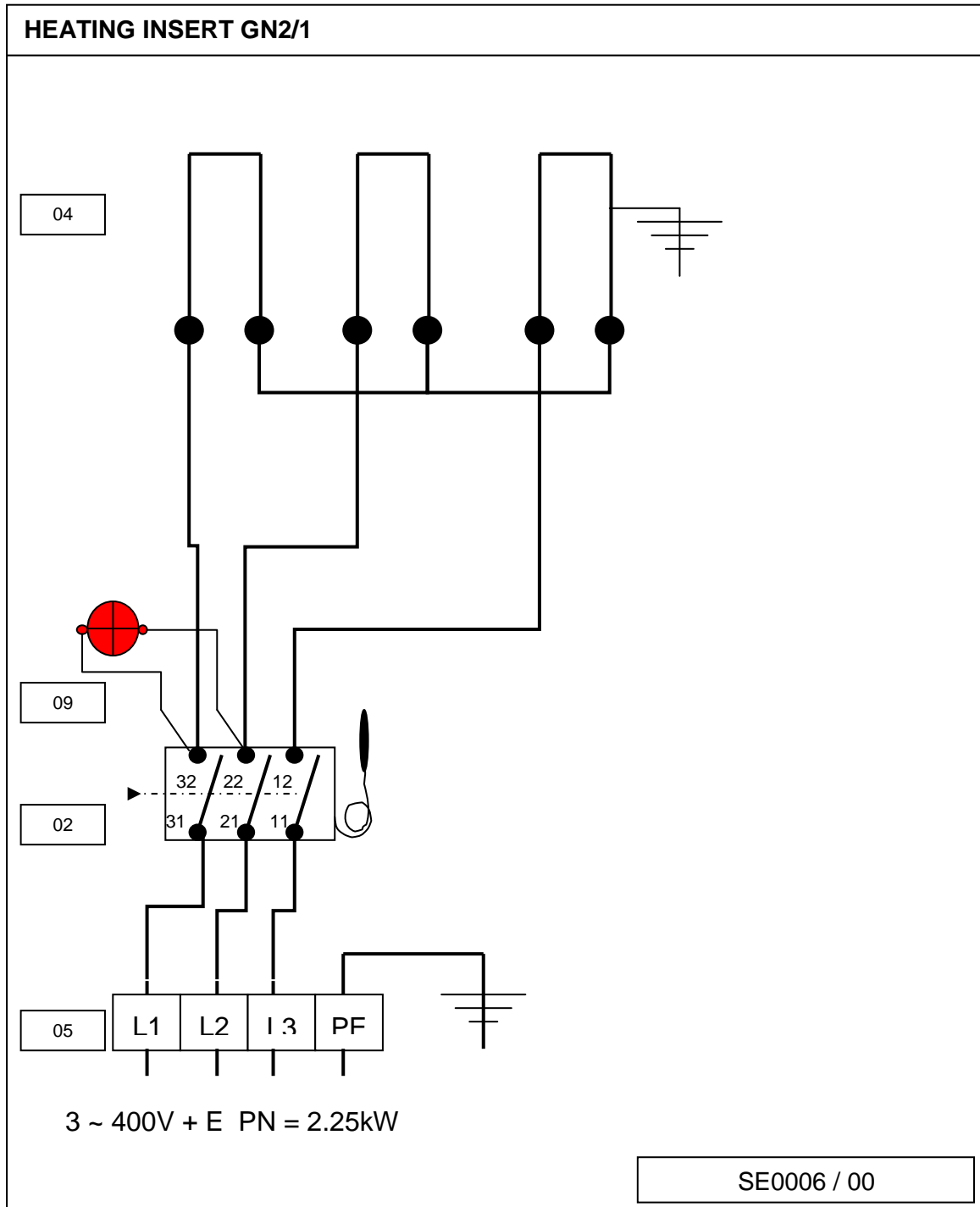


## PARTS LIST: Heating Insert GN1/1 (Diagram SE0005 / 00)

Mark	Code	Description	Qty
01	02431A	High-Temperature Connection Cable 4 x 2.5m <sup>2</sup>	1m
02	01995A	Three-pole 30 - 110°C Thermostat	1
03	07137A	Red Indicator	1
04	02060A	750W 230V electric element	2



# 'Electric' Bain-Marie



**PARTS LIST: Heating Insert GN2/1 (Diagram SE0006 / 00)**

Mark	Code	Description	Qty
01	02371A	High-Temperature Connection Cable 4 x 2.5m <sup>2</sup>	1m
02	01995A	Three-pole 30 - 110°C Thermostat	1
03	07136A	Red Indicator	1
04	02060A	750W 230V electric element	3



# 'Electric' Bain-Marie

---

**Series: PRO900**

**Boiler: B-E1BME1/1  
R-E1BME1/1**



**Boiler: B-E1BME2/1  
R-E1BME2/1**



- √ V02002 – V01820: ½ PRO900 B-E1BME1/1 - R-E1BME1/1
- √ V01978 – V01821: PRO900 B-E1BME2/1 - R-E1BME2/1

***User Manual***



# 'Electric' Bain-Marie

---

## 1. INTRODUCTION

- A) Our equipment is intended for professional use and must be used by suitably qualified personnel.
- B) The equipment must be installed in accordance with current regulations and standards in the country concerned and in a well-ventilated area with an extraction hood.
- C) The unit may be placed next to other units or against non-flammable walls, but under no circumstances must it be placed less than 10cm away from any combustible materials.
- D) For any modification to the installed equipment or for any new installation, it is essential to employ the services of a qualified installer.
- E) This manual is a contract document given to the user following installation.
- F) **GUARANTEE:** *The guarantee is included in the sales agreement. For any work under the guarantee, consult an approved dealer. The guarantee does not cover damage caused by faulty installation, misuse or inadequate maintenance.*

### Dimensions:

#### Normal Service:

Length: 850 mm.  
Depth: 900mm.  
Height: 900 mm.

#### Additional Service:

Length: 425 mm.  
Depth: 900mm.  
Height: 900 mm.

### Design:

18-10 stainless steel one-piece frame, 1 to 3 mm thick, assembled by electric welding.  
Frame top in 18-10 stainless steel, thickness 2 mm, with 55 mm dropped front edge (top angle radius 18 mm) and back.  
Vertical facing (visible faces) in 18-10 stainless steel, 1mm thick, no visible screws.  
Enamelled sheet steel recessed fascia panel, screen-printed indications.  
Stainless steel 200 mm high tubular legs, diameter 60.3 mm, with adjustable base-plates for levelling (+10 / - 20 mm).

### Top:

#### E1BME2/1

18-10 stainless steel GN2/1 boiler with flame envelope, dimensions as follows:

Length: 650 mm x Depth: 530 mm x Height: 170 mm.

Drain ball valve under the boiler.

18-10 stainless steel perforated double bottom.

Heating by three 1 kW resistors under the boiler in a watertight box, wired for 3 ~ 400 V + E.

Control and regulation by 30 – 110 °C thermostat with off position and heating light.

18-10 steel removable fitted cover with handle.



# 'Electric' Bain-Marie

---

E1BME1/1

18-10 stainless steel GN2/1 boiler with flame envelop, dimensions as follows:

*Length: 325 mm x Depth: 530 mm x Height: 170 mm.*

Drain ball valve under the boiler.

18-10 stainless steel perforated double bottom.

Heating by one 1 kW electric element under the boiler in a watertight box, wired for 1 ~ 230 V + E.

Control and regulation by 30 – 110 °C thermostat with off position and heating light.

18-10 steel removable fitted cover with handle.

## Base:

Removable open compartment in 18-10 stainless steel; 2 parts for normal service and 1 part for additional service.

## Options:

GN1/1 or GN2/1 heating insert.

Swing doors on the compartment.

Frontal Drain.

Hot and cold water mixer tap, spout turning through 180 or 360 °C.

## 2. INITIAL START-UP

a) Before the first start-up, it is advisable to clean the boiler and the false bottom.

To do this, put some water into the boiler (to about 3cm from the bottom) together with a cleaning product and heat the boiler slightly (thermostat on 50 °C).

b) Sponge all the boiler surfaces.

c) Turn off the heating, empty and then rinse out the boiler.



***Remember to turn the resistor heating off after each clean.  
Close the drain valve before filling the boiler.***

## 3. START-UP

***Put some water into the boiler to approximately 3 cm from the bottom.***

With the unit switched on:

Turn the regulating thermostat lever to the required temperature (90/95°C). The indicator lamp will come on (to indicate the unit is switched on).

The unit is heating up. Wait approximately 30 minutes before putting in the containers to be kept hot.

# 'Electric' Bain-Marie

---

SEE the regulations in respect of keeping food hot.

## \* USEFUL TIPS

The BAIN-MARIE can be used for numerous storage combinations:

- in GN 1/1 containers or in multiple containers (NOT supplied) in suspension;
- in cooking containers that have been used for preparation by removing the false bottom.

Always make sure there is plenty of water in the boiler and top it up as often as necessary.

**Important: The walls can be very hot after intensive or prolonged use.**

## 4. SWITCHING OFF

Reset the thermostat to 0.

Empty the boiler after each use: open the cupboard door to access and open the drain valve. Place a receptacle underneath it to catch the water.

When work is over for the day, cut power off at the mains.

## 5. MAINTENANCE

### 5.1. Cleaning the Stainless Steel Facings

To wash, use a sponge and soapy water (or any other *neutral* detergent).

*Never use Javel water or any other acid product, even if it is extremely diluted.*

**For the tops, if necessary use a scouring sponge. Always rub with the polishing.**

Wipe with a soft cloth after each cleaning.

Finger marks can be removed with a cloth impregnated with alcohol.

### 5.2. Cleaning the Boiler

- a) Turn off the heating.

Always wait for it to cool down.

- b) Cleaning (SEE recommendations for stainless steel above).

### 5.3. Cleaning the Double Casing

Turn off the heating.

Always wait for the unit to cool down.

In the event of scaling due to hard water, use a commercially available descaling agent and then rinse thoroughly.



# 'Electric' Bain-Marie

---

If the total mains water hardness is above 7, the use of softened water is highly advisable.

**Do not use pressurised water jets to clean this unit and do not allow it to get unduly splashed. Make sure the unit is switched off.**

*To get the best out of the unit, it is advisable to have it regularly maintained by a qualified installer according to how often or how intensively it is used.*

***Important:*** *Certain parts of the unit are protected by the manufacturer and should not be handled by either the installer or the user.*

## 6. TROUBLESHOOTING

HEATING NOT WORKING: Probable Causes

The indicator lamp comes on:

- . Faulty regulating thermostat.
- . Resistor(s) burnt out.

Ask your installer to replace the thermostat or the resistor(s) in time for the next use.



**The thermostat and the resistors must only be replaced by a qualified electrician.**



**Neither the manufacturer nor the installer may be held LIABLE if the user fails to request the service required to deal with any malfunctions.**





# 'Electric' Bain-Marie

COPY below the details on the unit's data plate.

		<b>CHARVET S.A.</b>	
		<b>38850 CHARAVINES</b>	
Réf.	<input type="text"/>		
Code:	<input type="text"/>	Type:	<input type="text"/>
N°FC:	<input type="text"/>	Rep.	<input type="text"/>
Cat.	<input type="text"/>	<input type="text"/>	<input type="text"/>
Gaz	<input type="text"/>	<input type="text"/>	<input type="text"/>
P (mbar)	<input type="text"/>	<input type="text"/>	<input type="text"/>
$\Sigma Q_n$ (kW)	<input type="text"/>	<input type="text"/>	<input type="text"/>
$\Sigma V_n$ (m <sup>3</sup> /h)	<input type="text"/>	<input type="text"/>	<input type="text"/>
$\Sigma M_n$ (kg/h)	<input type="text"/>	<input type="text"/>	<input type="text"/>
U	<input type="text"/>	V	<input type="text"/>
f	<input type="text"/>	Hz	<input type="text"/>
	<input type="text"/>	P	<input type="text"/>
	<input type="text"/>		<input type="text"/>
	<input type="text"/>		
<b>MADE IN FRANCE</b>			

This information will facilitate communications with your installer when you require maintenance and/or spare parts

