



MODULE GMC 525 ELECTRIC TILTING GRIDDLE

DESCRIPTION	EXTEND CONCEPT
GMC0085	MODULE 525



INSTALLATION MANUAL

CHARVET

F-38850 – CHARAVINES
Tel.: +33 (0) 4 76 06 64 22
Fax: +33 (0) 4 76 55 78 75
Email : info@charvet.fr
Email : sav@charvet-sa.fr



MANUAL: EN - GMC 525 ELECTRIC TILTING GRIDDLE
Ind. A – Created on: 26/03/2010
Updated on:

SUMMARY

INSTALLATION MANUAL	1
1. INSTALLATION	3
1.1. GENERAL POINTS	3
1.2. HANDLING	3
1.3. INSTALLATION	3
1.4. DATA PLATE	4
2. POWER CONNECTION	4
2.1. ADJUSTING THE PLINTH (GMC APPLIANCE):	5
2.2. CHECKS BEFORE PROCEEDING	6
2.3. CONNECTING THE APPLIANCE IN THE TECHNICAL AREA	6
2.4. CONNECTING THE APPLIANCE TO THE ELECTRIC NETWORK	7
2.5. CHECKS AFTER PROCEEDING	8
2.6. ADAPTING THE APPLIANCE TO THE VARIOUS ELECTRICAL SUPPLY VOLTAGES	8
3. CONNECTING THE WATER SUPPLY	9
3.1. CHECKS BEFORE PROCEEDING	9
3.2. WATER CONNECTION	9
3.3. FLOW ADJUSTMENT	10
3.4. CHECKS AFTER CONNECTION	10
4. WIRING DIAGRAMS	11
5. BASIC SPARE PARTS LIST	12
6. SERVICING	13
6.1. REPLACING THE HEATING ELEMENT	13

1. INSTALLATION

1.1. General points

Installation must be undertaken in compliance with the following instructions and with local codes and bylaws. Ensure you have a suitable and sufficient risk assessment in place.

The user's manual must be given to the user after installation.

1.2. Handling

It is imperative to leave the appliance on its wooden pallet for handling on site until the final installation.

Unpack and check the appliance for damage upon receipt.

In case of damage, mark delivery note accordingly and immediately (within 48 hours) notify the carrier by registered mail with acknowledgement of receipt. Notify your seller.

1.3. Installation

All local fire regulations must be adhered to.

The appliance must be installed under a suitable mechanical extraction hood.

If the apparatus is to be installed against a wall or partition, near a piece of furniture or decorative borders, it is recommended that these are made of fireproof material.

If this is not the case, they must be protected by an approved fireproof, insulating material.

If in doubt of fireproof construction of adjacent walls, distance to combustible material shall be no less than 10 cm.

Remove all plastic protection.

Install the appliance in the kitchen.

Warning

**Any technical action on an appliance must be undertaken by a qualified technician.
The appliance will have to be isolated from the electrical supply for the duration of the work.**

When the appliance is ready for use, ensure the users know how to use it properly.
(Please see the user's manual).

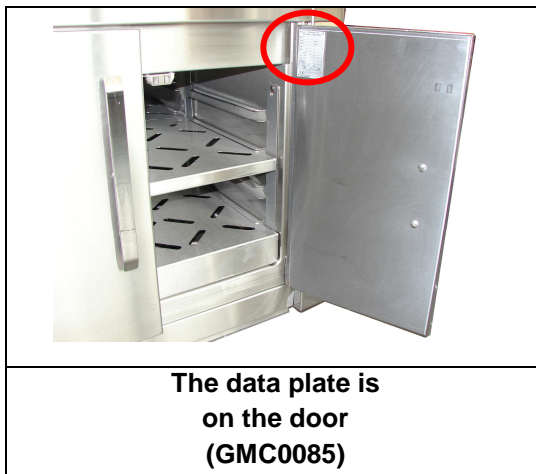
Warranty: The warranty is mentioned in our conditions of sale.

This warranty does not cover damage due to faulty installation, misuse or inadequate maintenance.

1.4. **Data plate**

Each appliance has its own data plate. Transfer all the information written on the data plate to the part of the user's manual reserved for it.

This will ease the communication between you and your client for better service.



2. POWER CONNECTION

Warnings

The appliance must be earth wired.
It is dangerous to connect the appliance unless it is earthed.
We cannot be held responsible for accidents due to non-existent or incorrect earth link connection.

Fixed appliance:
Check that the electric network is equipped with all-pole circuit breakers having a cross section of 3.5 mm at least. All electrical equipment must be in compliance with the standard EN 60335-1.

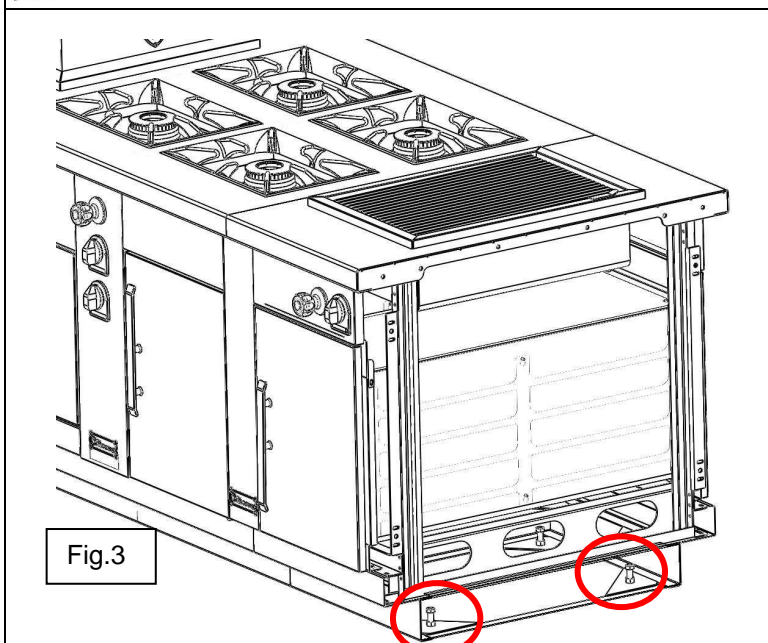
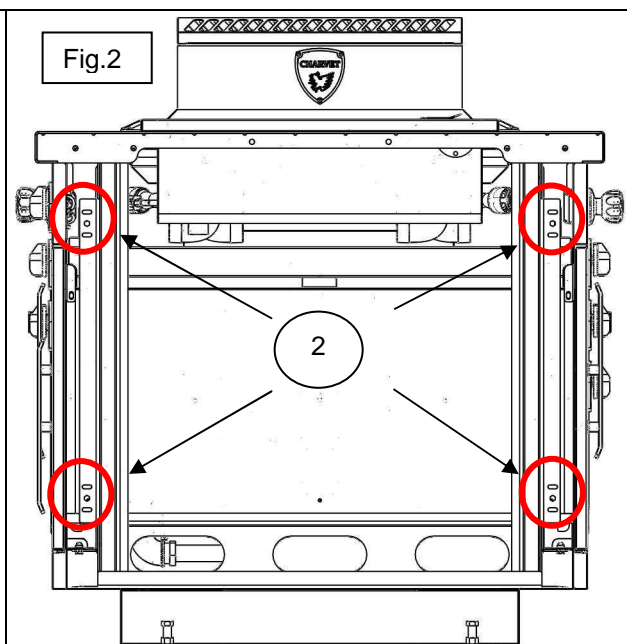
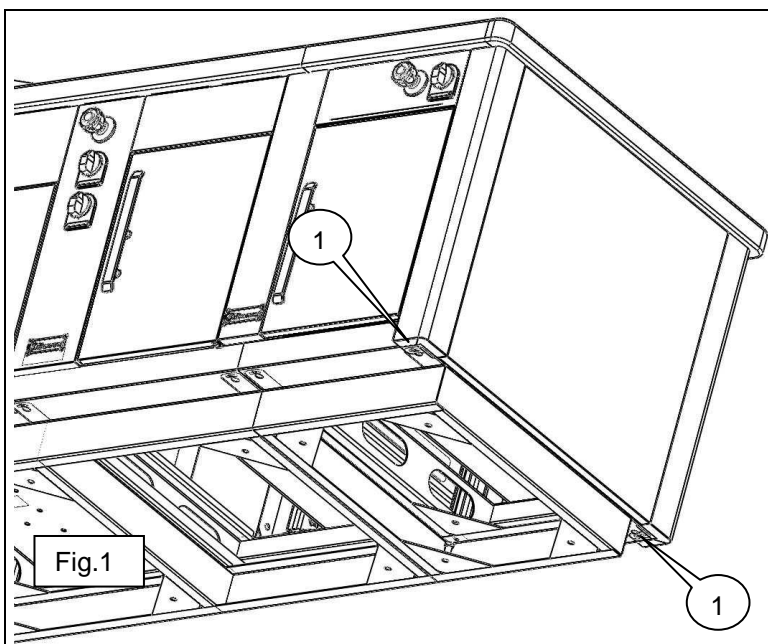
WARNING:
Use a standardized cable (245 IEC 57 or 245 IEC 66) or other approved cable with the same characteristics.

All controls and checks below are done when the appliance is switched off and cold.

Fixed appliance:

- Check that the masonry plinth is well horizontally leveled.
- Adjust height to level the unit to a horizontal working plan of 900 mm.
- See the adjusting procedure below.

2.1. **Adjusting the plinth (GMC appliance):**



Adjusting the plinth:

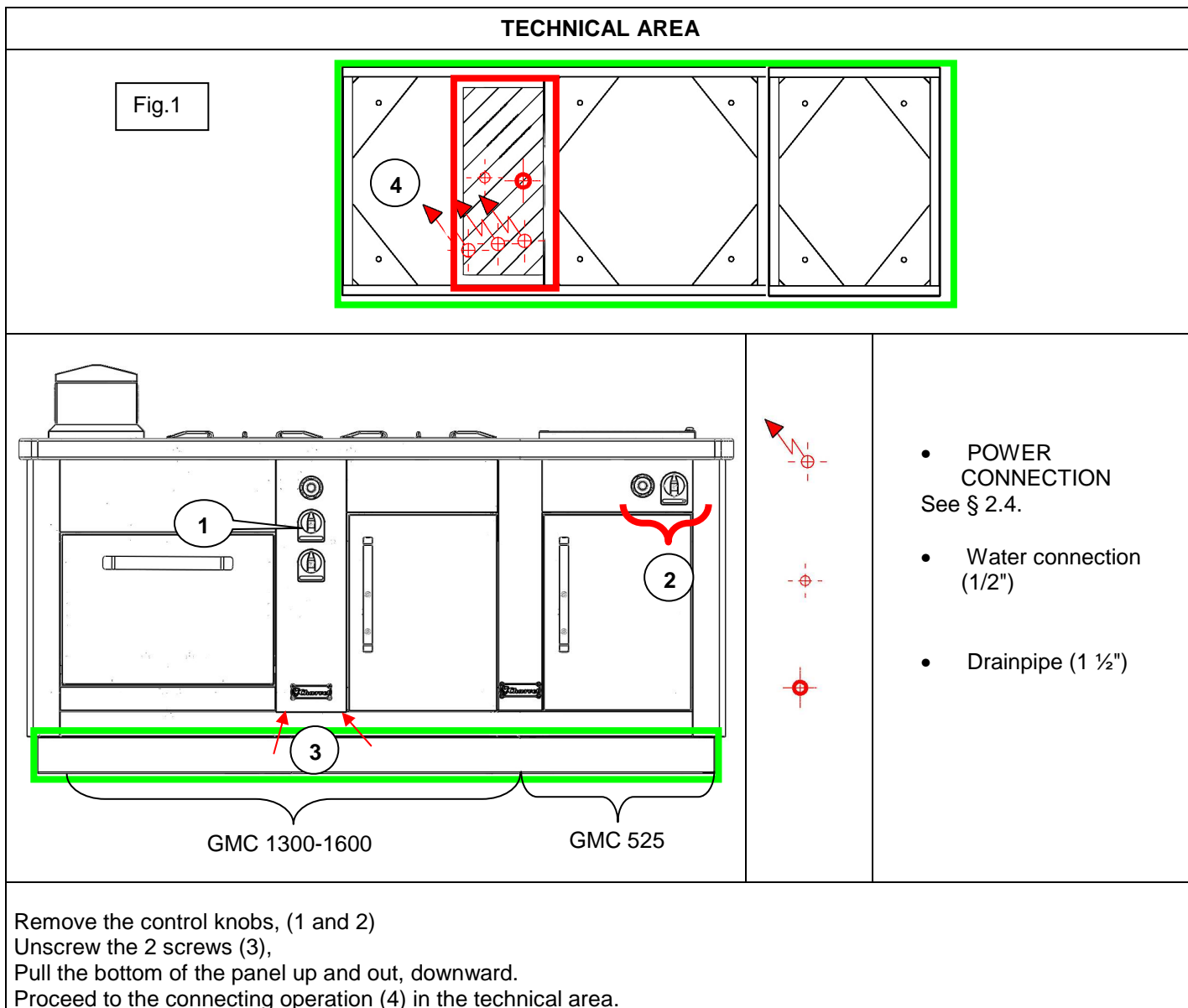
- Remove the angle pillars (1) (screwed)
- Unscrew the side panel, (2) (screwed)
- Adjust the nuts to adjust the plinth. (3)

2.2. **Checks before proceeding**

Check that:

- The electrical voltage of the supply is compatible with the voltage of the apparatus (see data plate and § 5), (See § 2.6).
- The cable is fixed properly,
- The connections are tight enough,
- The section of the cable is of correct size according to the voltage of the apparatus.

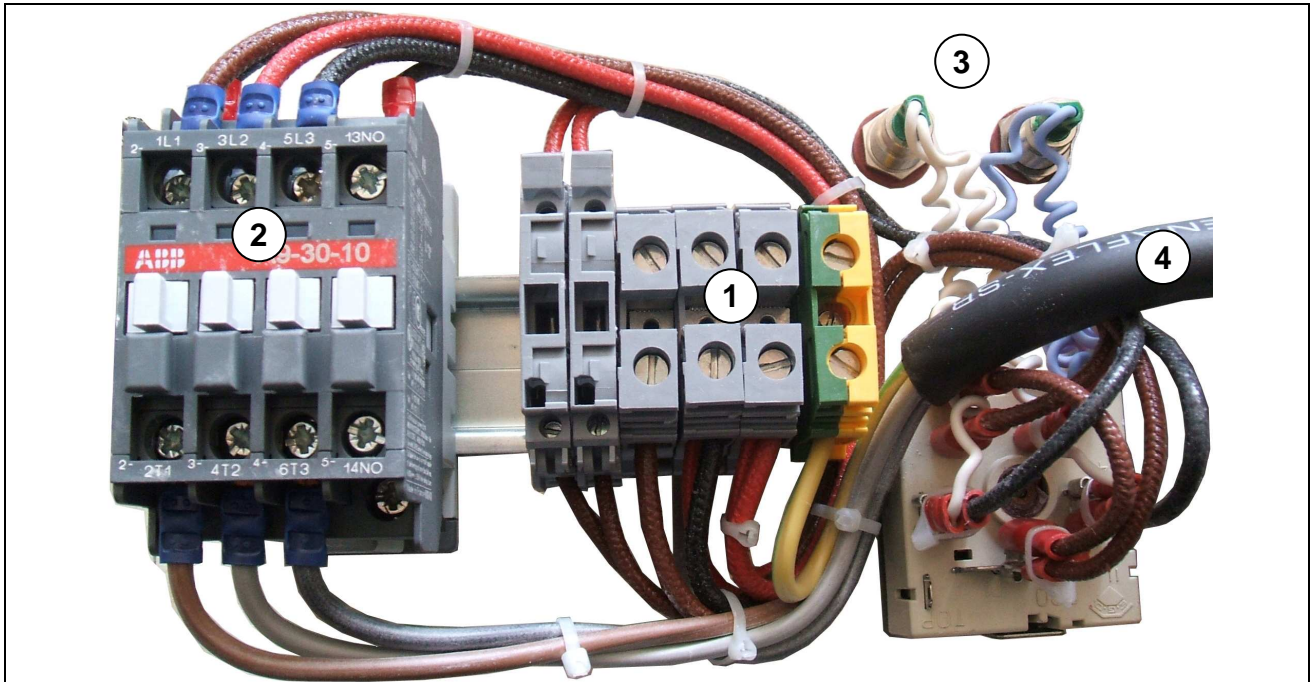
2.3. **Connecting the appliance in the technical area**



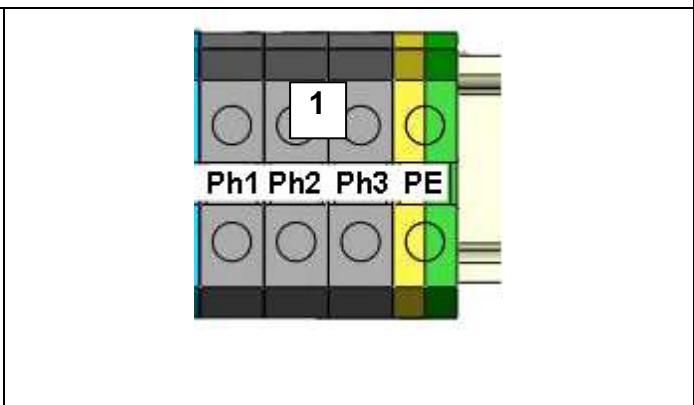
2.4. **Connecting the appliance to the electric network**

- Unscrew the front control panel to access the connection box,
- See section "Technical area." '(see § 2.3.),
- Thread cable through the terminal box (fixed with 2 screws).
- Connect cable to the terminals, and follow the information written on the terminal box.

Check the electrical equipment is properly insulated (cable condition).



- 1) Terminal block
- 2) Contactor
- 3) Indicator
- 4) Energy regulator



2.5. **Checks after proceeding**

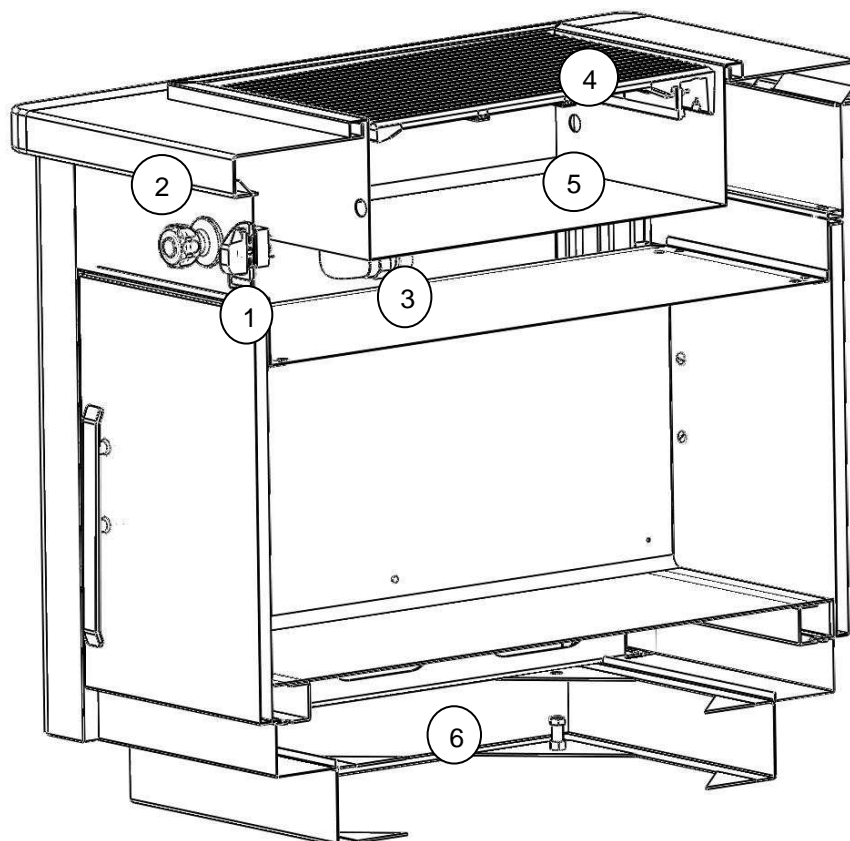
- The apparatus is well earth wired, (see the warnings)
- The equipment is well isolated,
- The appliance is in good working conditions.

STARTING UP: See the User's Manual – Section "Starting up"

2.6. **Adapting the appliance to the various electrical supply voltages**

Voltages available				
Various voltages		1~230V + E	3~230V + E	3~400V + E
	Wiring diagrams #	S = standard coupling		
Tilting griddle	SE0032/00	B	B	S
A → Coupling possible B → Please consult Charvet C → Coupling impossible D → No voltage available				

Cross section view



Spare parts:

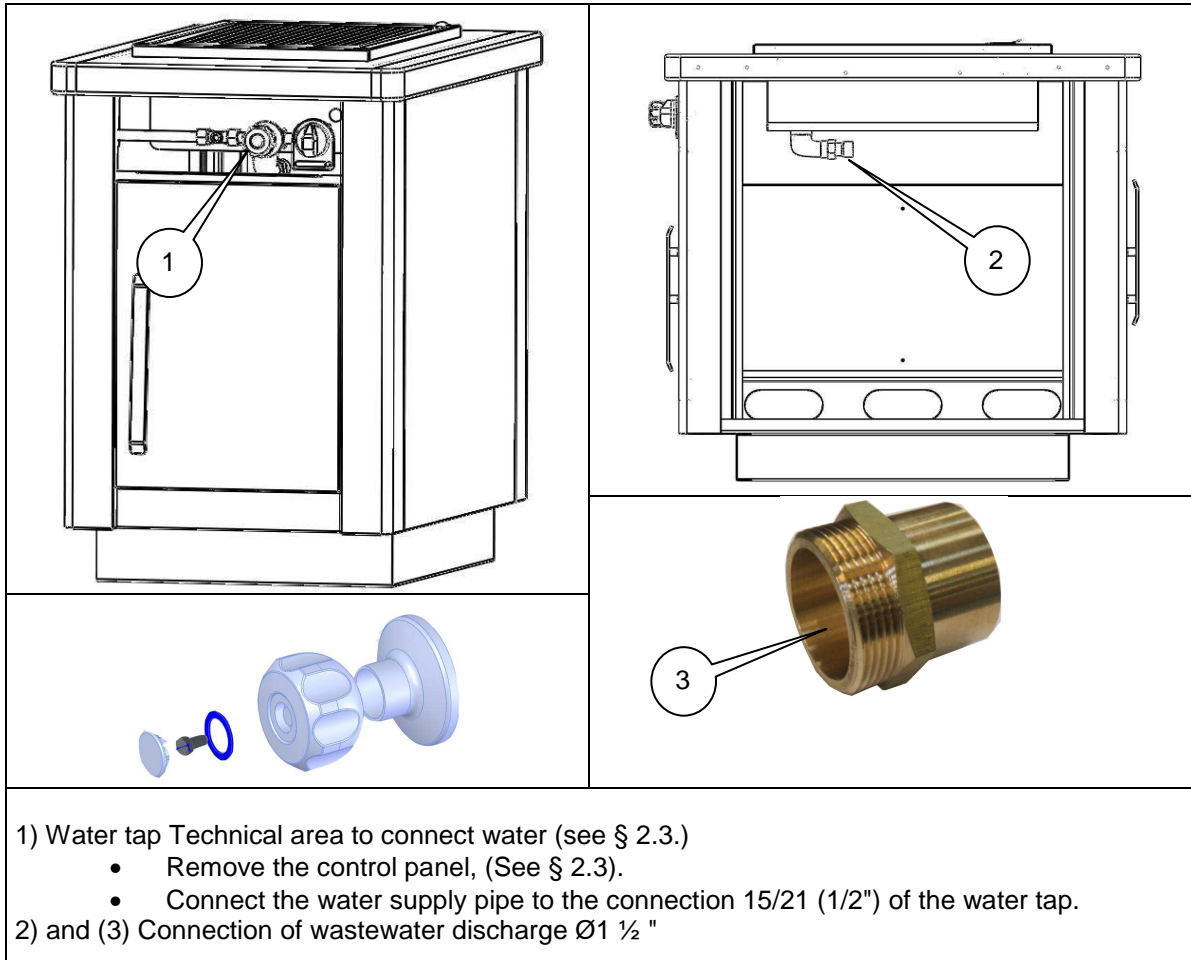
- 1) Energy regulator 400V
- 2) Water tap
- 3) Wastewater discharge Drainpipe
- 4) Heating element 1000W
- 5) Tank
- 6) Stainless steel plinth

3. CONNECTING THE WATER SUPPLY

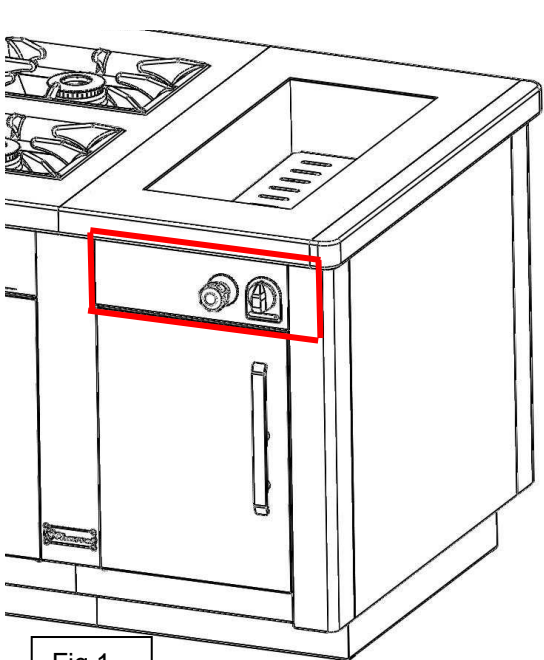
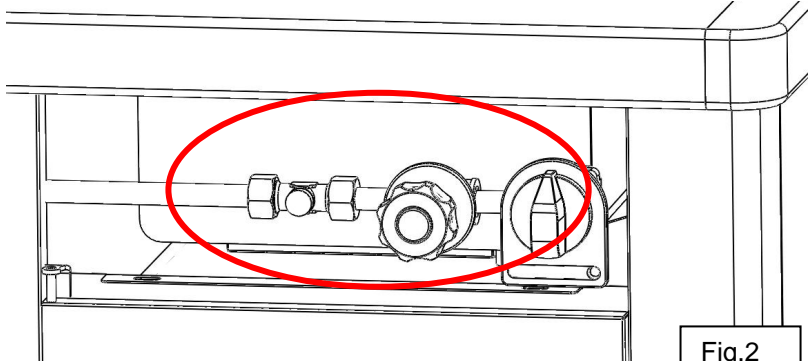
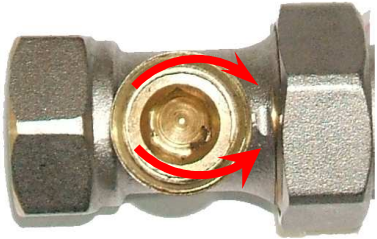
3.1. Checks before proceeding

- Purge the supply water pipe and clean the filter,
- Check that both siphon and waste pipe are free of obstructions.

3.2. Water connection



3.3. **Flow adjustment**

 <p>Fig.1</p>	 <p>Fig.2</p>
<p>Flow adjustment:</p> <ul style="list-style-type: none"> • Remove the water tap (screwed) (fig. 1) • Remove the control panel (fig. 1) • Unscrew the cap (fig. 2 - (A)). 	<ul style="list-style-type: none"> • Using a hex key, adjust the flow: <p style="text-align: center;"><u>Decrease flow</u></p>  <p style="text-align: center;"><u>Increase flow</u></p> <p>Fig.3</p>

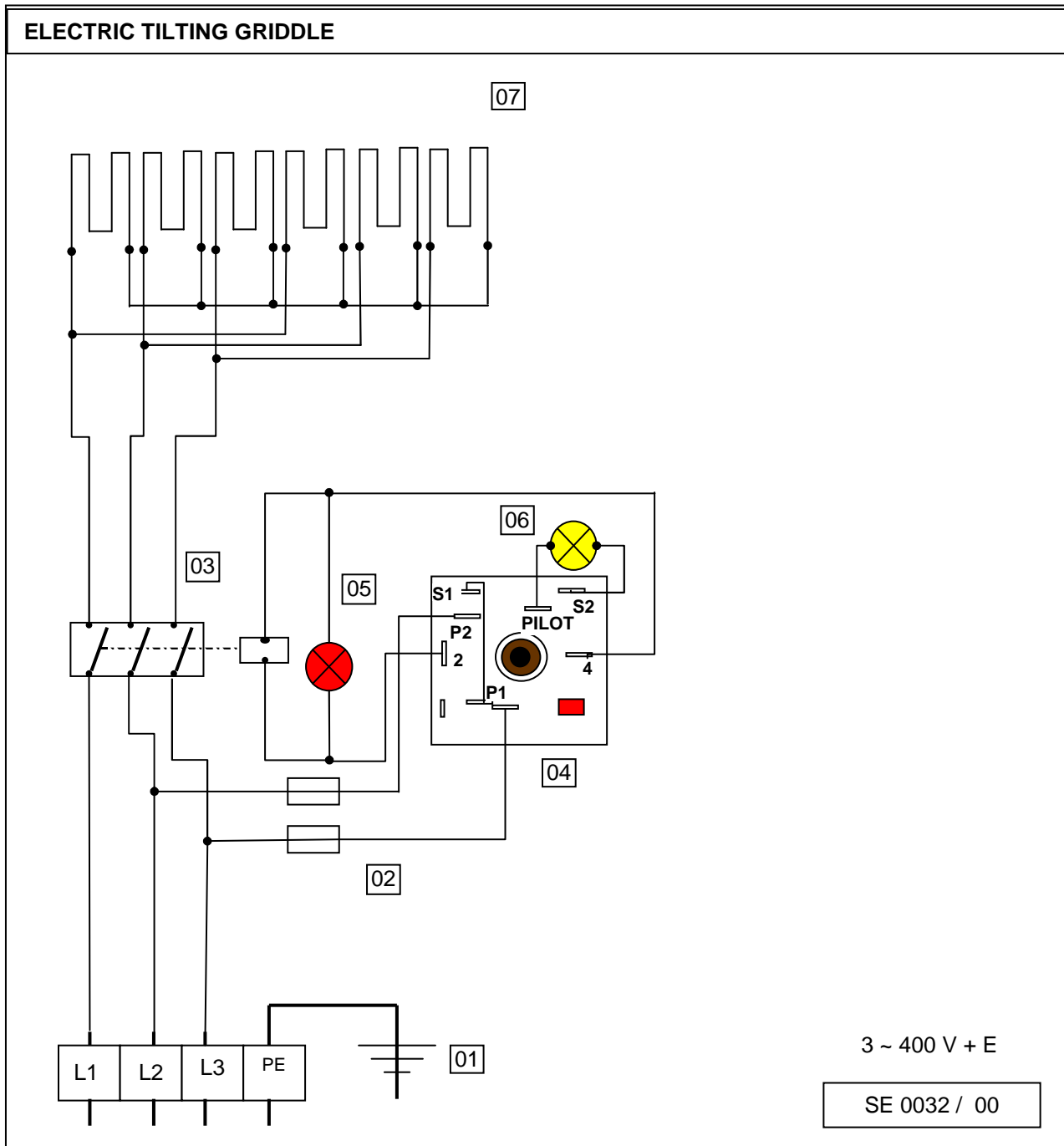
3.4. **Checks after connection**

Check that:

- The water circuit is well watertight,
- The water circuit is in good working state,

Set the water flow to obtain a regular and low flow when the water tap is fully opened. This can be done by reducing the flow at the water connection of the appliance.



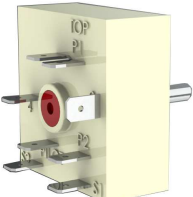
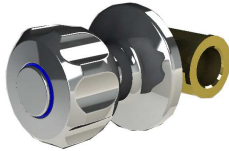
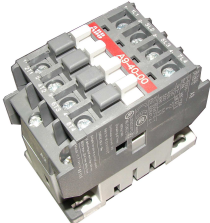
4. WIRING DIAGRAMS



NOMENCLATURE: ELECTRIC TILTING GRIDDLE (wiring diagram: SE0032 / 00)

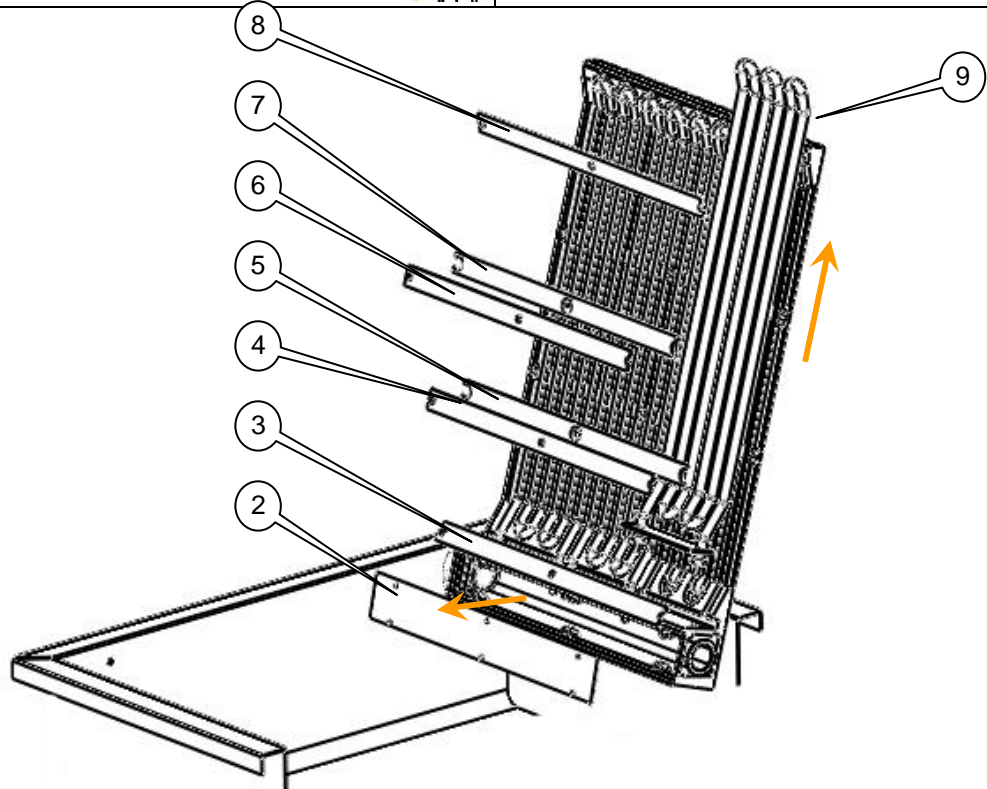
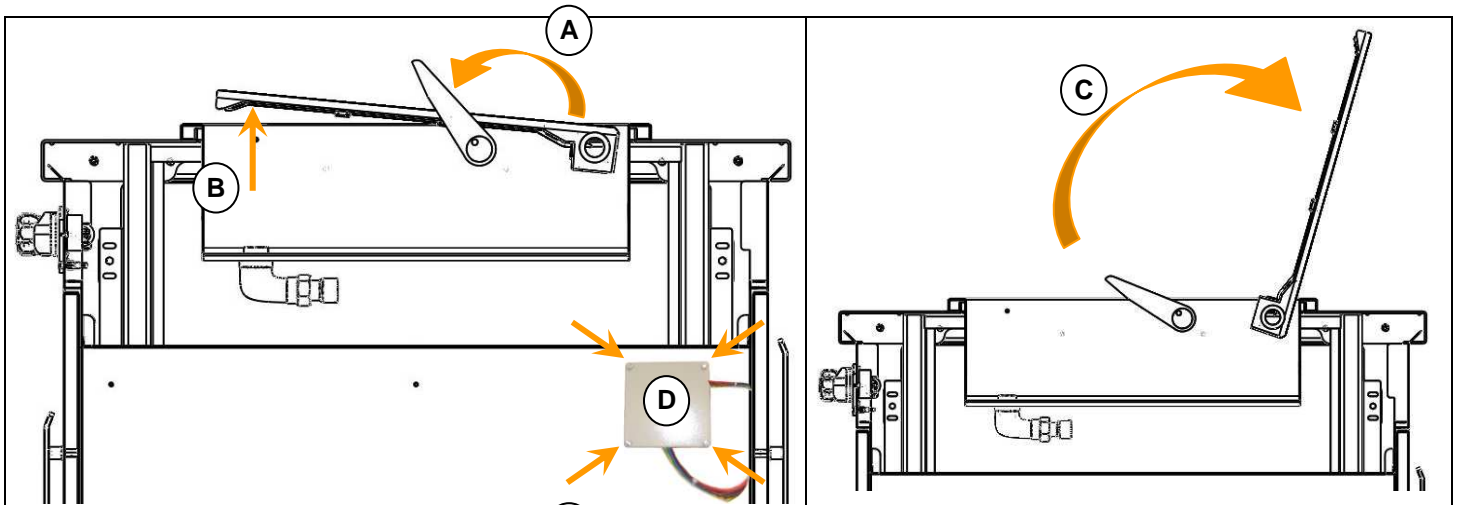
Mark	Code	Description	800/900
01	02468A	10 mm ² terminal (brand : Viking)	3
01	03575A	Earth terminal (brand : Viking)	1
02	02726A	Fuse support 5 mm x 20 mm	2
02	03413A	Fuse 5 mm x 20 mm, 5 A	2
03	02200A	Contacteur 400 V	1
04	09088A	Energy regulator 400 V	1
05	07136A	Red indicator 400 V	1
06	07139A	Yellow indicator 400V	1
07	07263A	Heating element 1000W	6

5. BASIC SPARE PARTS LIST

Description / Code	Photograph	Description / Code	Photograph
Heating element 08987A		Amber indicator 07139A Red indicator 230V 07137A	
Energy regulator 400 V - 09088A		Water tap 07355A	
Contactor for coil 400V - 00080A			

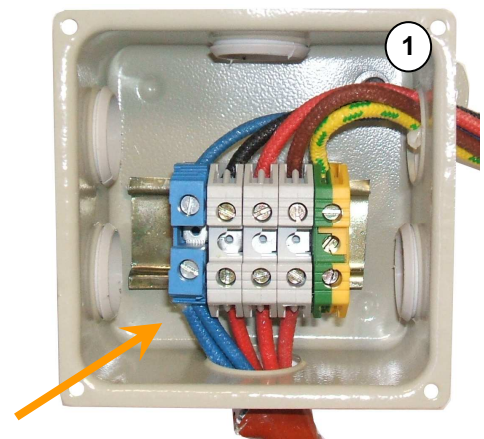
6. SERVICING

6.1. Replacing the heating element



CAUTION! Disconnect the appliance from the mains.

- Tilt the lever (A) to lift the griddle plate (B),
- Lift it completely (C),
- Then disconnect (D) (1),
- Remove the support bars (from 2 to 8),
- Remove the faulty heating element (9).



Disconnect the connections.



MODULE GMC 525 ELECTRIC TILTING GRIDDLE

DESCRIPTION	EXTEND CONCEPT
GMC0085	MODULE 525



USER'S INSTRUCTIONS

CHARVET

F-38850 – CHARAVINES
Tel.: +33 (0) 4 76 06 64 22
Fax: +33 (0) 4 76 55 78 75
Email : info@charvet.fr
Email : sav@charvet-sa.fr



MANUAL: EN - GMC 525 ELECTRIC TILTING GRIDDLE
Ind. A – Created on: 26/03/2010
Updated on:

SUMMARY

USER'S INSTRUCTIONS	1
1. INTRODUCTION	3
2. PRIOR TO STARTING UP	3
3. STARTING UP	3
3.1. ELECTRIC TILTING GRIDDLE	3
3.2. WATER FILLING	4
4. SWITCHING OFF	4
5. MAINTENANCE	4
5.1. CLEANING THE STAINLESS STEEL SURFACES	4
5.2. CLEANING THE GRIDDLE PLATE	5

1. INTRODUCTION

- A) Our equipment is for professional use only and must be used by qualified staff.
- B) The equipment must be installed in compliance with local codes and bylaws. It must be installed in a kitchen equipped with an adequately sized mechanical extraction system.
- C) Appliances may be installed side by side or against walls of non combustible material. Distance to combustible material shall be no less than 10 cm.
- D) It is imperative to call for a qualified engineer for all new installations or modifications of existing equipment.
- E) **WARRANTY:** *The warranty is mentioned in our conditions of sale. Only a qualified engineer certifies the validity of the warranty. This warranty does not cover damage due to faulty installation, misuse or inadequate maintenance.*

Warning:

**NEVER SWITCH ON THE ELECTRIC TILTING GRIDDLE IF THERE IS NO WATER IN THE TANK.
NEVER FILL UP WITH COOKING OIL. PAY SPECIAL ATTENTION TO THE LEVEL MARK (see § 3.2.)**

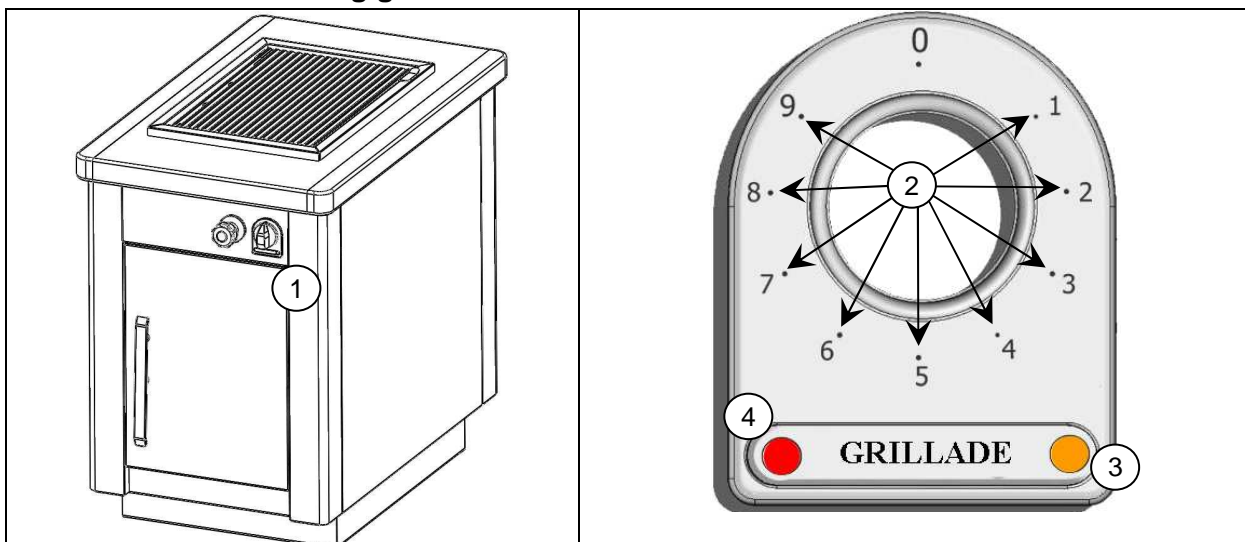
2. PRIOR TO STARTING UP

- a) We advise you to clean the tank with soapy water before the first use.
Turn on the water supply tap until water runs up and into the waste overflow set.
- b) When done, turn off the water supply tap.
- c) Set the energy regulator to the 50% mark and heat the apparatus up for 10 minutes about.
- d) Drain the tank.
 - Turn the apparatus off The energy regulator is on position "O".
 - and take the waste overflow pipe off to allow water running through the sluice gate.
- e) Clean the tank with a sponge to eliminate all remaining impurities.

SWITCH OFF before all draining operations.

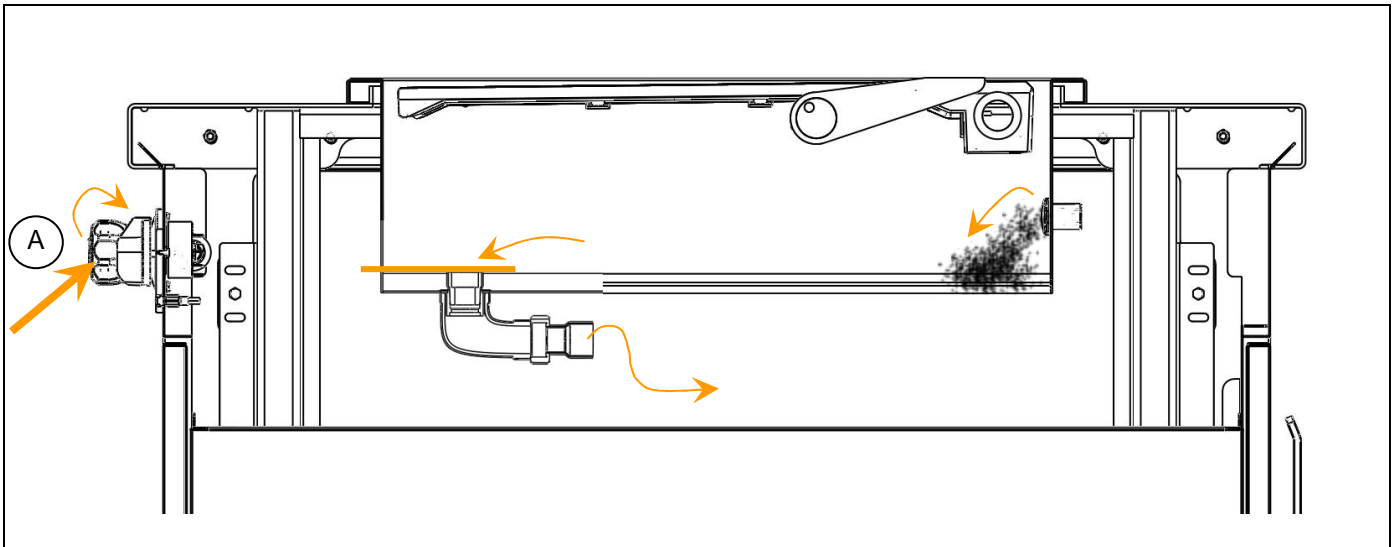
3. STARTING UP

3.1. Electric tilting griddle



- Regulation is controlled by an energy regulator in front.
- When the appliance is ON, an indicator is illuminated.
- The adjustment is possible from 10 to 100% of the power: of the control knob, 1 = 10% and 9 =100% (locked position).
- Select the desired temperature (2): the amber indicator is illuminated (3) (it means that the appliance is switched on). The appliance is heating up when the red indicator (4) is illuminated.
- When the desired temperature is reached, the red indicator is unlit.

3.2. **Water filling**

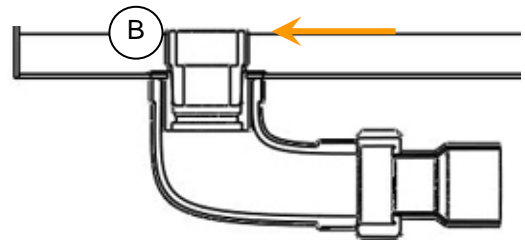


Tank filling:

- Turn the water tap anti-clockwise (A),
- Adjust the waste overflow set if necessary, (see the "Installer's Manual - § 3.3.")

Tank drainage:

- Remove the sluice gate (B).



- Maxi. water level

4. SWITCHING OFF

When work is over for the day, cut power off at the mains.

5. MAINTENANCE

Warning:

The users must take all the necessary precautions when draining the tank as there is a risk of splash burns.

The top and the sides of the appliance as well as the lever can be very hot after a prolonged and intensive use.

Before doing anything on the appliance, wait until cooking areas have cooled down.

5.1. **Cleaning the stainless steel surfaces**

- Turn off the apparatus: After each service and before each cleaning operation, we advise you to disconnect the appliance from the mains.
- Wash with a sponge in soapy water (or any other neutral cleaning product).
- Do not use bleach or any other acidic product – even well diluted.

Note: Put back all the parts in correct position (sluice gate, etc.).

This appliance must not be cleaned with mechanical water jets or be subject to a deluge of water under pressure. Check that the appliance is well disconnected at the mains.

5.2. **Cleaning the griddle plate**

Daily cleaning: After each service:

- Clean the grid with a wire brush.
- Do not clean the grid with ice.

Warning: Dry the griddle plate carefully to avoid rusting. Then clean with a greasy cloth.

Complete cleaning: In addition to the daily cleaning, clean with a sponge inside the apparatus and draining tank.

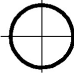

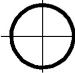

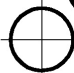
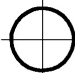
For best results, have your equipment serviced and cleaned on a regular basis by a qualified installer.

WARNING: Factory-sealed components must be serviced by neither installer nor user. Only a qualified electrician should replace the parts.

Call for your installer to replace the faulty electric components in preparation for a next use.

The manufacturer and the installer cannot be held responsible if the user neglects to ask for assistance in case of breakdown.

TRANSFER below the information written on the DATA PLATE of your apparatus.

		CHARVET S.A. 38850 CHARAVINES	
Réf.		<input style="width: 100%;" type="text"/>	
Code:	<input style="width: 50%;" type="text"/>	Type:	<input style="width: 50%;" type="text"/>
N°FC:	<input style="width: 50%;" type="text"/>		<input style="width: 50%;" type="text"/>
N°OF:	<input style="width: 50%;" type="text"/>	Rep.	<input style="width: 50%;" type="text"/>
Cat.	<input style="width: 50%;" type="text"/>	<input style="width: 100%;" type="text"/>	
Gaz	<input style="width: 25%;" type="text"/>	<input style="width: 25%;" type="text"/>	<input style="width: 25%;" type="text"/>
P (mbar)	<input style="width: 25%;" type="text"/>	<input style="width: 25%;" type="text"/>	<input style="width: 25%;" type="text"/>
ΣQ_n (kW)	<input style="width: 25%;" type="text"/>	<input style="width: 25%;" type="text"/>	<input style="width: 25%;" type="text"/>
ΣV_n (m ³ /h)	<input style="width: 25%;" type="text"/>	<input style="width: 25%;" type="text"/>	<input style="width: 25%;" type="text"/>
ΣM_n (kg/h)	<input style="width: 25%;" type="text"/>	<input style="width: 25%;" type="text"/>	<input style="width: 25%;" type="text"/>
U	<input style="width: 50%;" type="text"/>	V	<input style="width: 50%;" type="text"/>
		Hz Ip	<input style="width: 50%;" type="text"/>
P	<input style="width: 50%;" type="text"/>	kW	<input style="width: 50%;" type="text"/>
		<input style="width: 100%;" type="text"/>	
	MADE IN FRANCE		

This will ease the communication between you and your supplier, and will help you with maintenance problems and spare parts.