



# MODULE GMC 525 ELECTRIC BAIN-MARIE GN1/1

<b>DESCRIPTION</b>	<b>EXTEND CONCEPT</b>
<b>GMC0082</b>	<b>MODULE 525</b>



## ***INSTALLATION MANUAL***

CHARVET

F-38850 – CHARAVINES  
Tel.: +33 (0) 4 76 06 64 22  
Fax: +33 (0) 4 76 55 78 75  
Email : [info@charvet.fr](mailto:info@charvet.fr)  
Email : [sav@charvet-sa.fr](mailto:sav@charvet-sa.fr)



MANUAL: EN - GMC 525 ELECTRIC BAIN-MARIE GN1/1  
Ind. A – Created on: 25/03/2010  
Updated on:

# SUMMARY

<b>INSTALLATION MANUAL</b>	<b>1</b>
<b>1. INSTALLATION</b>	<b>3</b>
1.1. GENERAL POINTS	3
1.2. HANDLING	3
1.3. INSTALLATION	3
1.4. DATA PLATE	4
<b>2. POWER CONNECTION</b>	<b>4</b>
2.1. ADJUSTING THE PLINTH (GMC APPLIANCE):	5
2.2. CHECKS BEFORE PROCEEDING	6
2.3. CONNECTING THE APPLIANCE (PREPARATION)	6
2.4. CONNECTING THE APPLIANCE TO THE ELECTRIC NETWORK	7
2.5. CHECKS AFTER PROCEEDING	8
2.6. ADAPTING THE APPLIANCE TO THE VARIOUS ELECTRICAL SUPPLY VOLTAGES	8
<b>3. CONNECTING THE WATER SUPPLY</b>	<b>8</b>
3.1. CHECKS BEFORE CONNECTION	8
3.2. WATER CONNECTION	8
3.3. FLOW ADJUSTMENT	9
3.4. CHECKS AFTER CONNECTION	10
<b>4. WIRING DIAGRAMS</b>	<b>11</b>
<b>5. BASIC SPARE PARTS LIST</b>	<b>13</b>
<b>6. SERVICING</b>	<b>13</b>
6.1. HOT CUPBOARD: CHANGING THE HEATING ELEMENT	13
6.2. BAIN-MARIE: CHANGING THE HEATING ELEMENT	14

## 1. INSTALLATION

### 1.1. General points

Installation must be undertaken in compliance with the following instructions and with local codes and bylaws. Ensure you have a suitable and sufficient risk assessment in place.

**The user's manual must be given to the user after installation.**

### 1.2. Handling

It is imperative to leave the appliance on its wooden pallet for handling on site until the final installation.

Unpack and check the appliance for damage upon receipt.

In case of damage, mark delivery note accordingly and immediately (within 48 hours) notify the carrier by registered mail with acknowledgement of receipt. Notify your seller.

### 1.3. Installation

***All local fire regulations must be adhered to.***

The appliance must be installed under a suitable mechanical extraction hood.

If the apparatus is to be installed against a wall or partition, near a piece of furniture or decorative borders, it is recommended that these are made of fireproof material.

If this is not the case, they must be protected by an approved fireproof, insulating material.

If in doubt of fireproof construction of adjacent walls, distance to combustible material shall be no less than 10 cm.

Remove all plastic protection.

Install the appliance in the kitchen.

## Warning



**Any technical action on an appliance must be undertaken by a qualified technician.  
The appliance will have to be isolated from the electrical supply for the duration of the work.**

When the appliance is ready for use, ensure the users know how to use it properly.  
(Please see the user's manual).

Warranty: The warranty is mentioned in our conditions of sale.

This warranty does not cover damage due to faulty installation, misuse or inadequate maintenance.

1.4. **Data plate**

Each appliance has its own data plate. Transfer all the information written on the data plate to the part of the user's manual reserved for it.

**This will ease the communication between you and your client for better service.**



**2. POWER CONNECTION**

**Warnings**

The appliance must be earth wired.  
It is dangerous to connect the appliance unless it is earthed.  
We cannot be held responsible for accidents due to non-existent or incorrect earth link connection.

**Fixed appliance:**

Check that the electric network is equipped with all-pole circuit breakers having a cross section of 3.5 mm at least. All electrical equipment must be in compliance with the standard EN 60335-1.

**WARNING:**

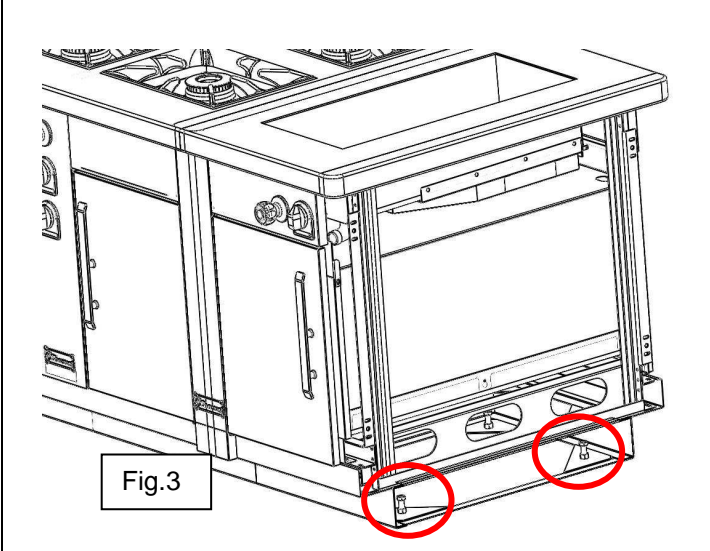
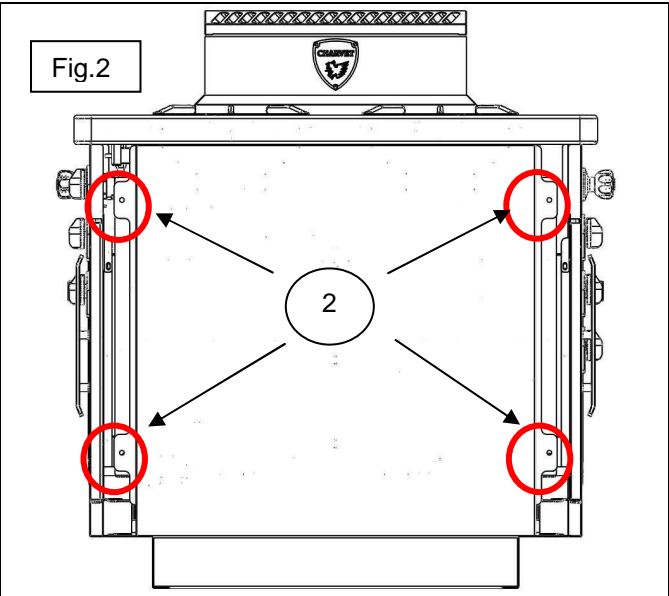
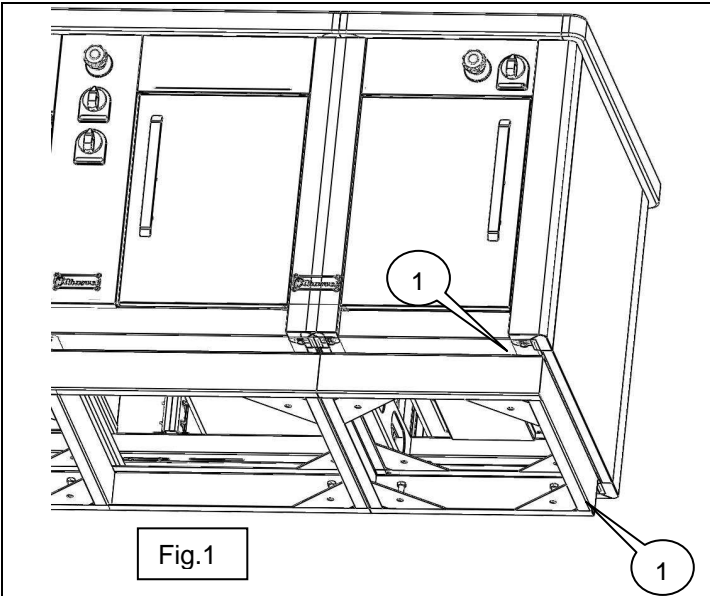
Use a standardized cable (245 IEC 57 or 245 IEC 66) or other approved cable with the same characteristics.

All controls and checks below are done when the appliance is switched off and cold.

**Fixed appliance:**

- Check that the masonry plinth is well horizontally leveled.
- Adjust height to level the unit to a horizontal working plan of 900 mm.
- See the adjusting procedure below.

2.1. Adjusting the plinth



**Adjusting the plinth:**

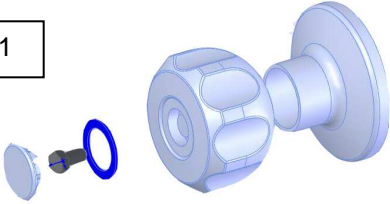
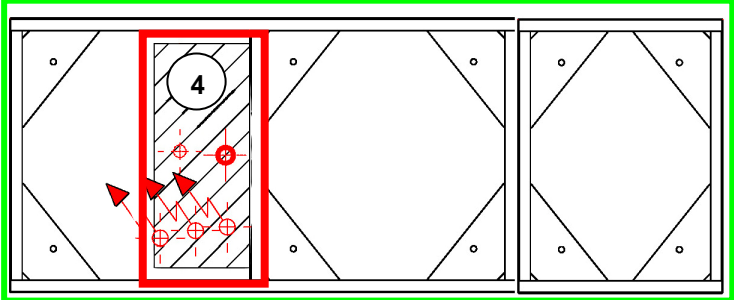
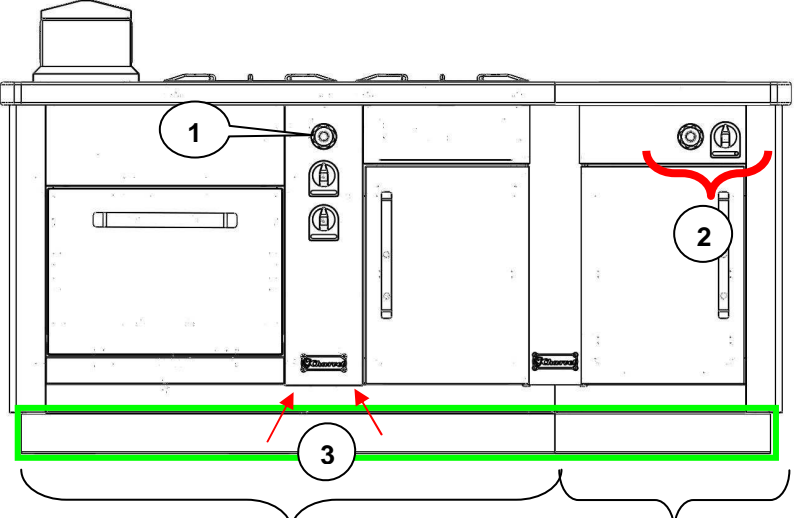

- Remove the angle pillars (1) (screwed)
- Unscrew the side panel (2),
- Adjust the nuts to adjust the plinth. (3)

2.2. **Checks before proceeding**

Check that:

- The electrical voltage of the supply is compatible with the voltage of the apparatus (see data plate and § 5).
- The cable is fixed properly,
- The connections are tight enough,
- The section of the cable is of correct size according to the voltage of the apparatus.

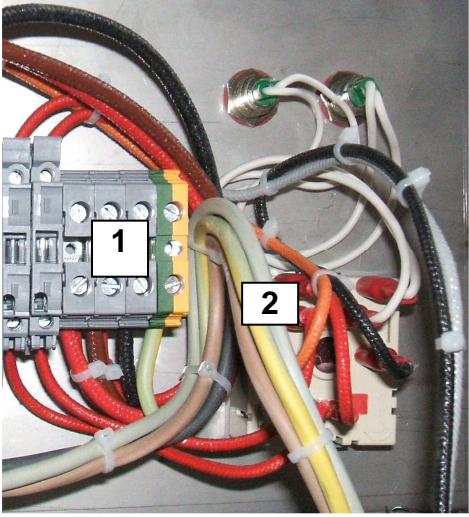

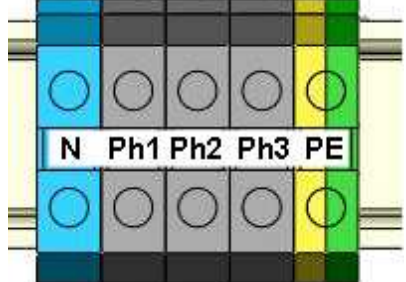
2.3. **Connecting the appliance**

 <p>Fig.1</p>	<p><b>TECHNICAL AREA</b></p> 	
 <p>1</p> <p>2</p> <p>3</p> <p>GMC 1300-1600</p> <p>GMC 525</p>		<ul style="list-style-type: none"> <li>• Power connection See § 2.4.</li> <li>• Water connection (1/2")</li> <li>• Drainpipe (1 1/2")</li> </ul>
<ul style="list-style-type: none"> <li>• Remove the control knobs (2) (fixed with screws). Remove the water tap (1).</li> <li>• Unscrew the 2 screws (3)</li> <li>• Pull the bottom of the panel up and out, downward.</li> <li>• Proceed to the connecting operation (4) in the technical area.</li> </ul>		

2.4. **Connecting the appliance to the electric network**

- Unscrew the front control panel to access the connection box,
- See section "Technical area."
- Thread cable through the terminal box (fixed with 2 screws).
- Connect cable to the terminals and follow the information written on the terminal box.

**Check the electrical equipment is properly insulated (cable condition).**

	<p>Fig. a</p> 
<p>1) Terminal block 2) Energy regulator 3) Electric cable path</p>	

2.5. **Checks after proceeding**

- The apparatus is well earth wired, (see the warnings)
- The electrical equipment is well isolated from the rest of the equipment.
- The appliance is in good working conditions.

STARTING UP: See the User's Manual – Section "Starting up"

2.6. **Adapting the appliance to the various electrical supply voltages**

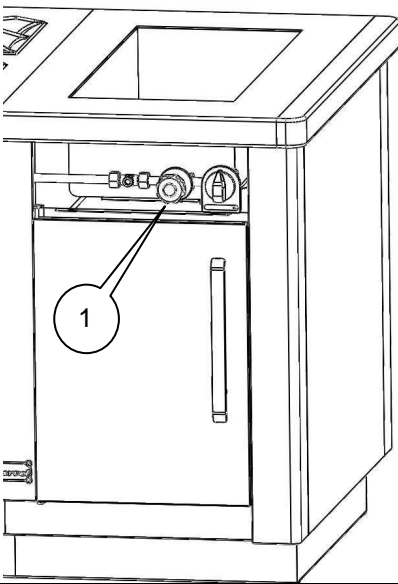
Voltages available		⇒			
Various voltages		⇩	1~230V + E	3~230V + E	3~400V + E
	<b>Wiring diagrams #</b>	<b>S = standard coupling</b>			
<b>Hot cupboard</b>	<b>TR0038</b>	<b>S</b>	<b>A</b>	<b>A</b>	
<b>BAIN-MARIE</b>	<b>TR0037</b>	<b>B</b>	<b>B</b>	<b>S</b>	
A → Coupling possible B → Please consult Charvet C → Coupling impossible D → No voltage available					

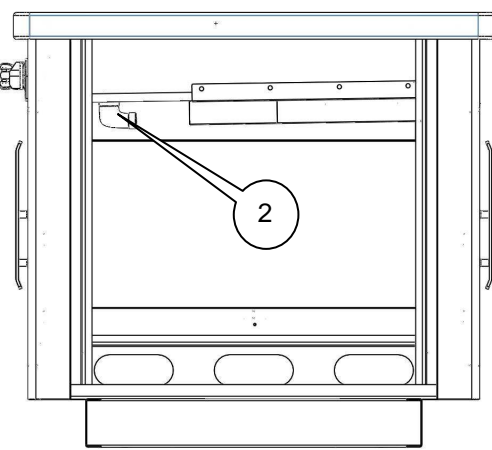
3. **CONNECTING THE WATER SUPPLY**

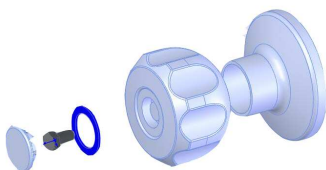
3.1. **Checks before connection**

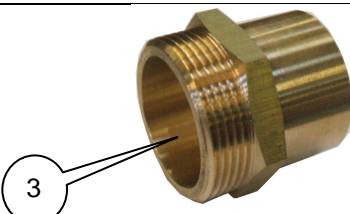
- Purge the supply water pipe and clean the filter,
- Check that both siphon and waste pipe are free of obstructions.

3.2. **Water connection**









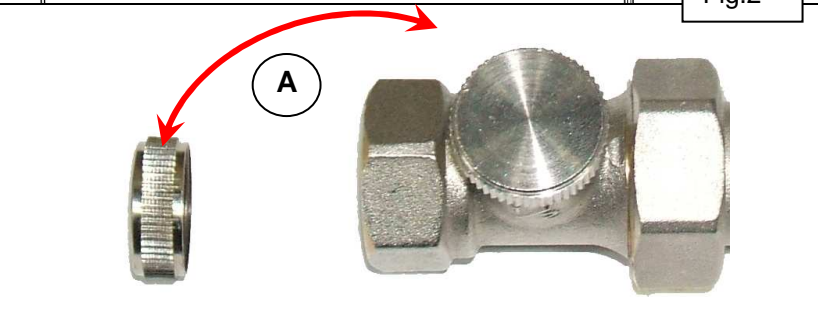
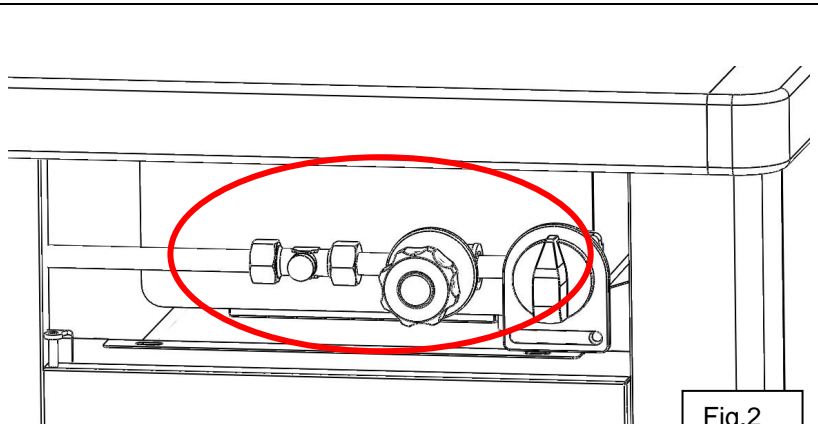
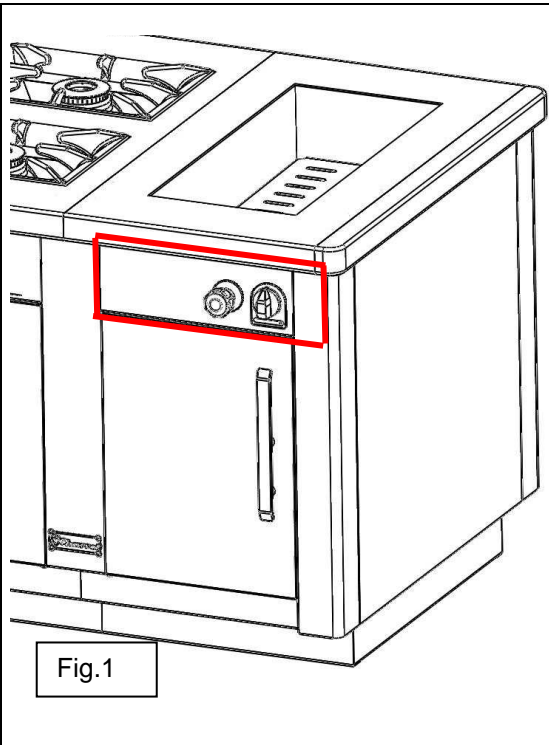
1) Water tap Technical area to connect water (see § 2.2.)

- Remove the control panel (see § 2.3).
- Connect the water supply pipe to the connection 15/21 (1/2") of the water tap.

2) and (3) Connection of wastewater discharge Ø1 ½ "



3.3. Flow adjustment

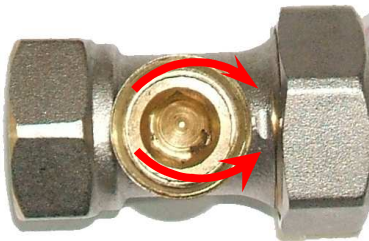


**Flow adjustment:**

- Remove the water tap (screwed) (fig. 1)
- Remove the control panel (fig. 1)
- Unscrew the cap (fig. 2 - (A)).

- Using a hex key, adjust the flow:

Decrease flow



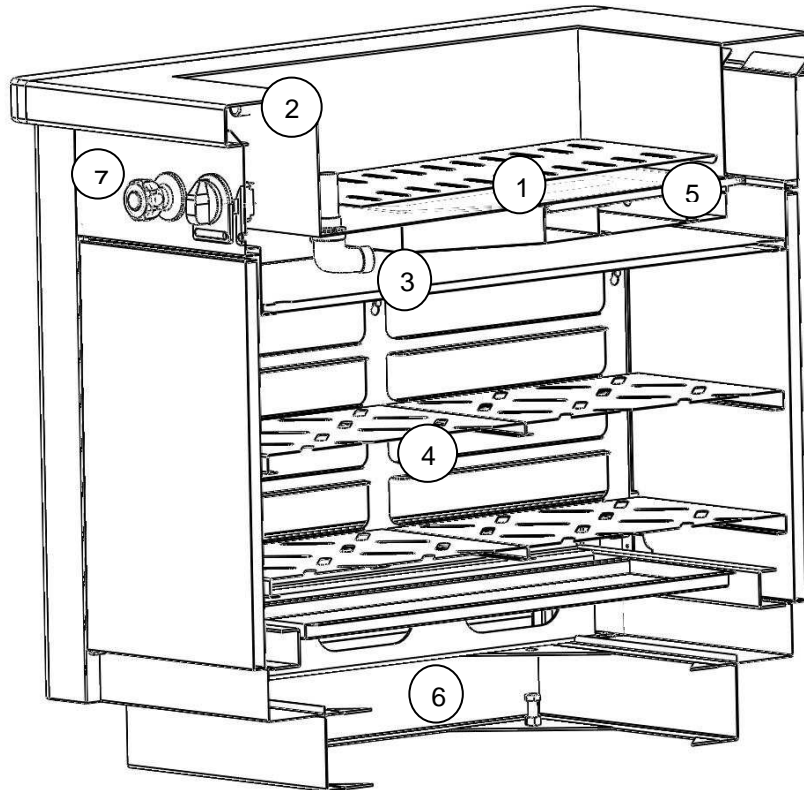
Increase flow

### 3.4. Checks after connection

Check that:

- The water circuit is well watertight,
- The water circuit is in good working state,

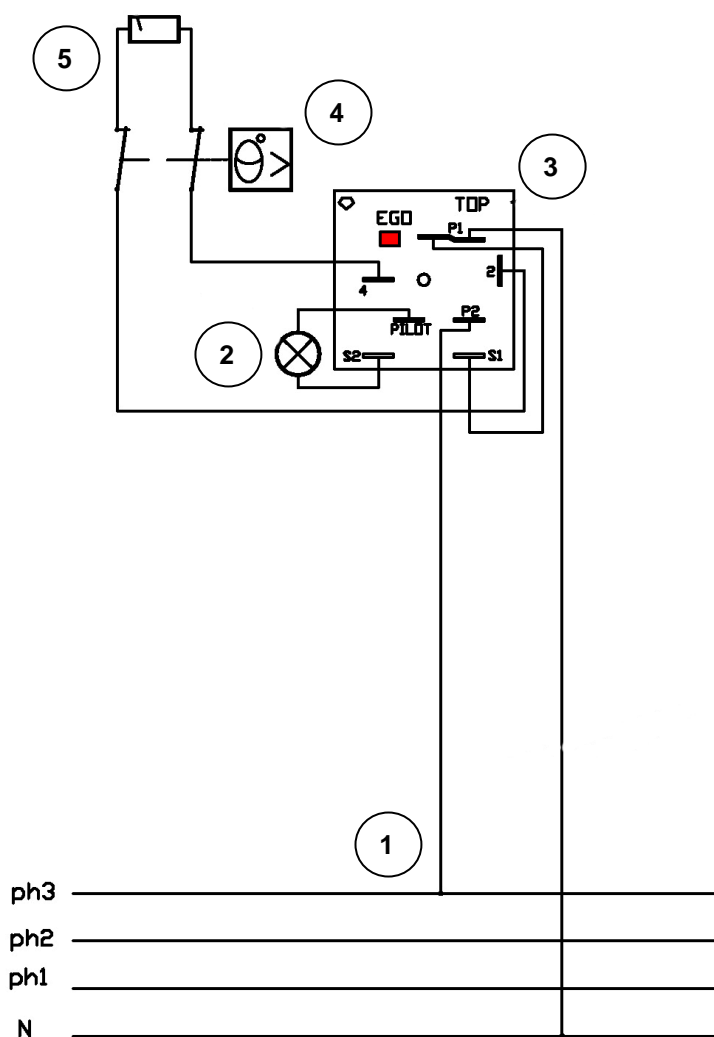
Set the water flow to obtain a regular and low flow when the water tap is fully opened. This can be done by reducing the flow at the water connection of the appliance.



#### **Parts**

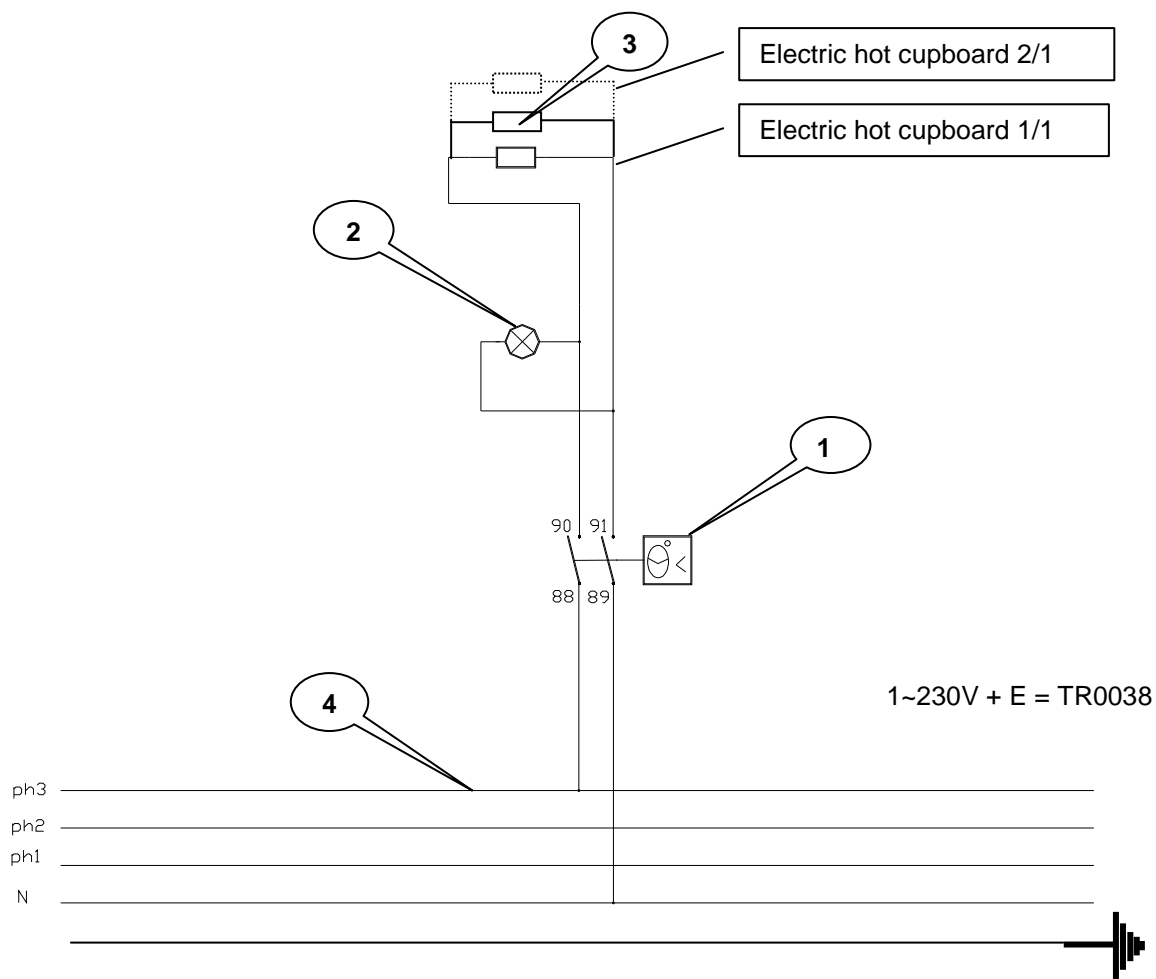
- 1) Draining board
- 2) Waste overflow set
- 3) Wastewater discharge pipe
- 4) Electric hotcupboard
- 5) Heating element 2000W
- 6) Stainless steel plinth
- 7) Control knob

4. WIRING DIAGRAMS



Nomenclature: Bain-marie (TR0037)

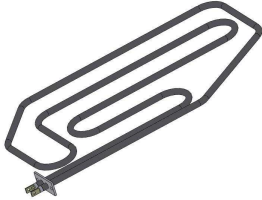
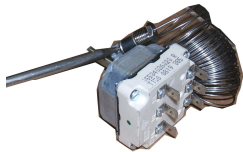


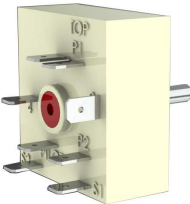

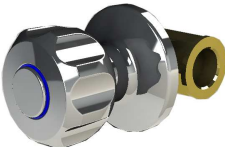
Mark	Code	Description	Quantity
01	02467A	Terminal	3
01	03575A	Viking earth terminal	1
01	02466A	Terminal	1
02	07139A	230V heating indicator	1
03	09099A	Energy regulator	1
04	01990A	Safety thermostat 50°C-350°C	1
05	ELE0225	Heating element 2000W - 230V	2



**Nomenclature: Hot cupboard – single phase 230 V**

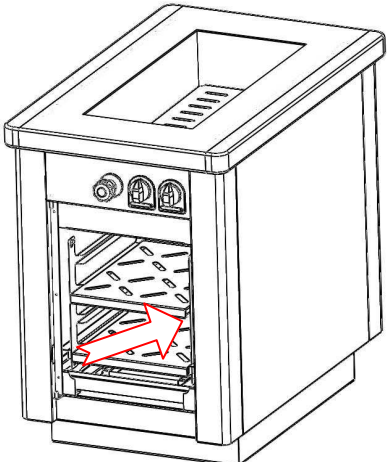
Mark	Code	Description	Quantity
01	ELE0304	Regulation thermostat	1
02	07139A	230V heating indicator	1
03	ELE0231	Heating element 230V 600W	2
04	02467A	Terminal	3
04	03575A	Viking earth terminal	1

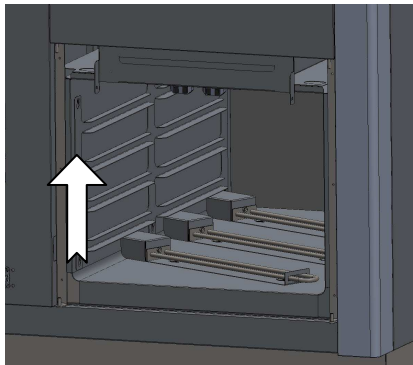
5. BASIC SPARE PARTS LIST

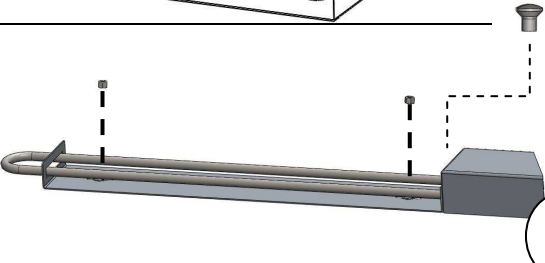
Description / Code	Photograph	Description / Code	Photograph
Heating element 230V ELE0225		Hot cupboard thermostat ELE0304	
Tripolar thermostat 50-350°C 01999A Safety device		Heating element (hot cupboard) 230V ELE0231	
Energy regulator 230V, 09099A		Amber indicator 07139 Red indicator 07137A	
Water tap 07355A			

6. SERVICING

6.1. Hot cupboard: changing the heating element







- **Removing the heating element**
- Remove the shelves to reach the heating element,
- Unscrew the nuts and screw.
- Remove the heating element,
- See § 5 - "Basic spare parts list" for the reference.

6.2. Bain-marie: changing the heating element

Fig.1

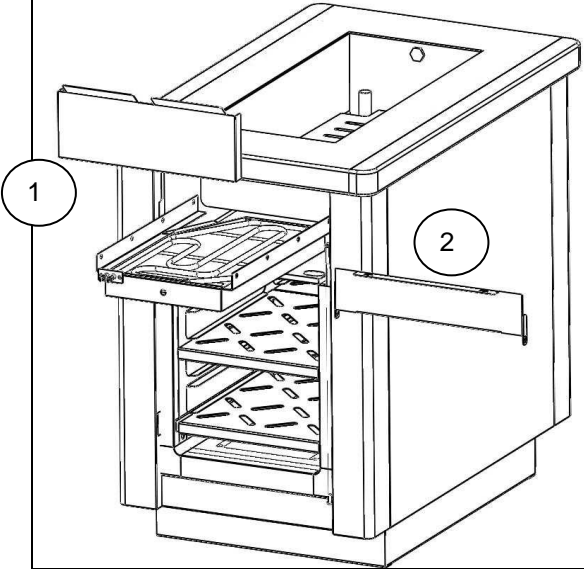


Fig. 2

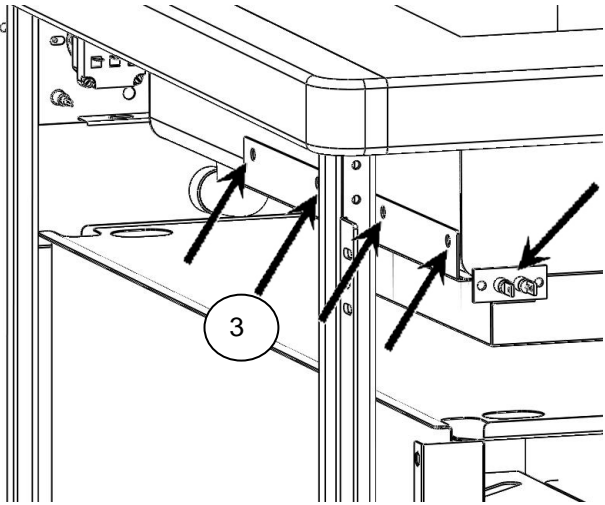
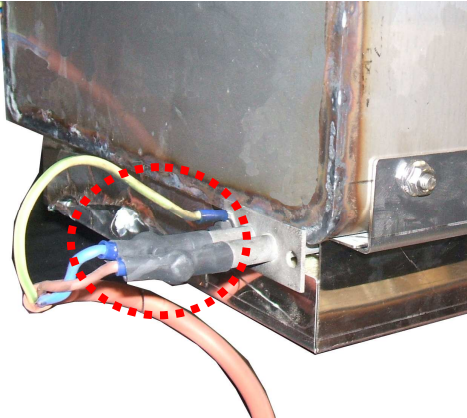


Fig. 3



**Removing the heating element:**

- Remove the rear top panel (1)
- Remove the top panel (2) - Fig. 2
- You have access to the connections.
- Disconnect the following wires: (fig. 3)
- Unscrew the screws located in the heating area. (3)
- Slide the drawer.

You can take off the heating element.



# MODULE GMC 525 ELECTRIC BAIN-MARIE GN1/1

DESCRIPTION	EXTEND CONCEPT
GMC0082	<b>MODULE 525</b>



## ***USER'S INSTRUCTIONS***

CHARVET

F-38850 – CHARAVINES  
Tel.: +33 (0) 4 76 06 64 22  
Fax: +33 (0) 4 76 55 78 75  
Email : [info@charvet.fr](mailto:info@charvet.fr)  
Email : [sav@charvet-sa.fr](mailto:sav@charvet-sa.fr)



MANUAL: EN - GMC 525 ELECTRIC BAIN-MARIE GN1/1  
Ind. A – Created on: 25/03/2010  
Updated on:

# SUMMARY

- USER'S INSTRUCTIONS ----- 1**
- 1. INTRODUCTION ----- 3**
- 2. PRIOR TO STARTING UP ----- 3**
- 3. STARTING UP ----- 3**
  - 3.1. BAIN-MARIE ----- 3**
  - 3.2. ELECTRIC HOT CUPBOARD ----- 4**
  - 3.3. FILLING UP THE BAIN-MARIE ----- 4**
- 4. SWITCHING OFF ----- 4**
- 5. MAINTENANCE ----- 4**
  - 5.1. CLEANING THE STAINLESS STEEL SURFACES ----- 5**
  - 5.2. ELECTRIC HOT CUPBOARD ----- 5**



## 1. INTRODUCTION

- A) Our equipment is for professional use only and must be used by qualified staff.
- B) The equipment must be installed in compliance with local codes and bylaws. It must be installed in a kitchen equipped with an adequately sized mechanical extraction system.
- C) Appliances may be installed side by side or against walls of non combustible material. Distance to combustible material shall be no less than 10 cm.
- D) It is imperative to call for a qualified engineer for all new installations or modifications of existing equipment.
- E) **WARRANTY:** *The warranty is mentioned in our conditions of sale. Only a qualified engineer certifies the validity of the warranty. This warranty does not cover damage due to faulty installation, misuse or inadequate maintenance.*

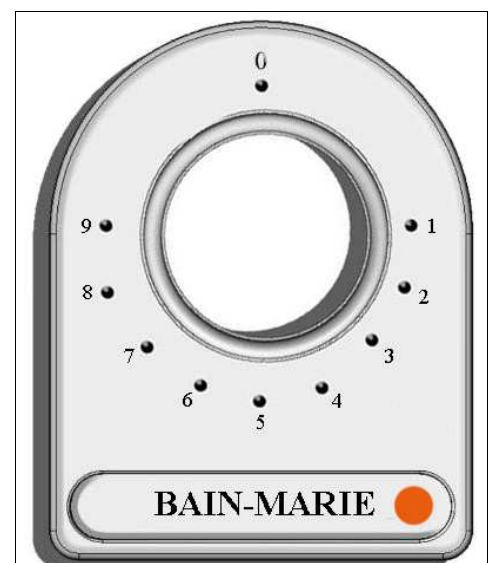
## 2. PRIOR TO STARTING UP

- a) Prior to starting up, it is advisable to clean the tank in order to eliminate all dust and impurities that have accumulated during storage. Turn on the water supply tap until water runs up and into the waste overflow set.
- b) When done, turn off the water supply tap.
- c) Set the energy regulator to the 50% mark and heat the apparatus up for 10 minutes about.
- d) Drain the tank.
- Turn the apparatus off (set the energy regulator to the "O" mark).
  - Remove the sluice gate to allow water to flow.
- e) Clean the tank with a sponge to eliminate all remaining impurities.

## 3. STARTING UP

### 3.1. BAIN-MARIE

- Regulation is controlled by an energy regulator in front and a safety thermostat to avoid overheating.
- When the appliance is ON, an indicator is illuminated.
- Adjustment is possible from 10 to 100% of the power according to the setting of the control knob, 1 = 10% and 9 =100% (locked position).

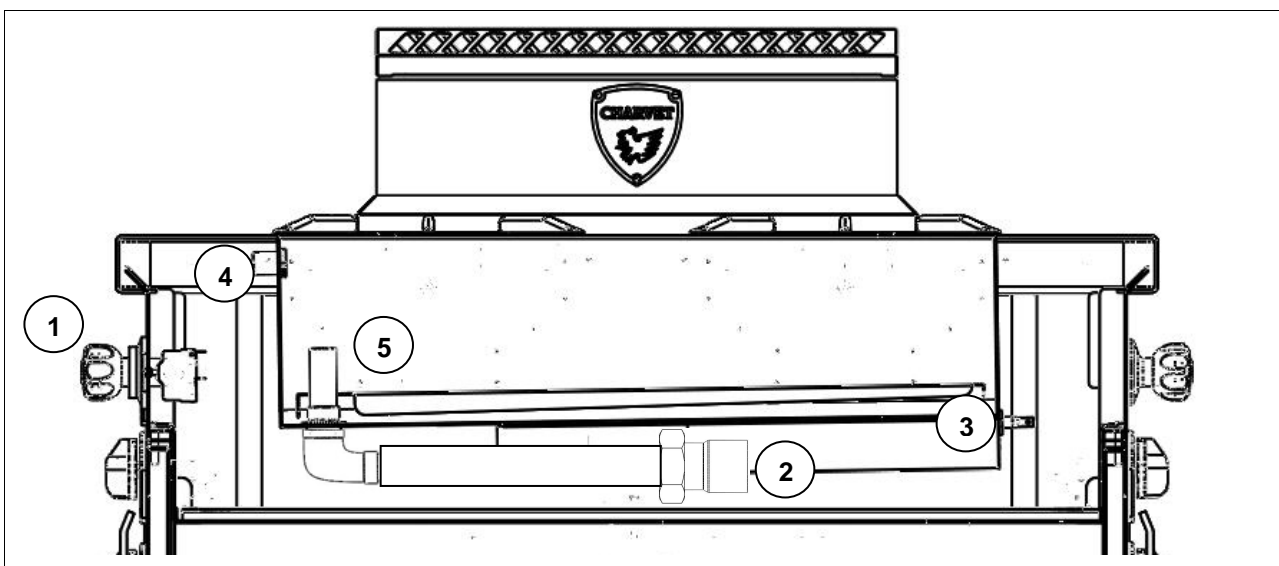


3.2. **Electric hot cupboard**

- Turn on the power.
- Turn the energy regulator to the desired temperature,
- The amber indicator remains illuminated until the desired temperature is reached.



3.3. **Filling up the bain-marie**



**Cross section view:**

1. Water tap
2. Wastewater discharge into the technical area (1 ½")
3. Heating element
4. Waste overflow set
5. Sluice gate

Ensure that the sluice gate is in place before filling up the tank with water.

**4. SWITCHING OFF**

When work is over for the day, cut power off at the mains.

**5. MAINTENANCE**

Before doing anything on the appliance, wait until cooking areas have cooled down.

5.1. **Cleaning the stainless steel surfaces**

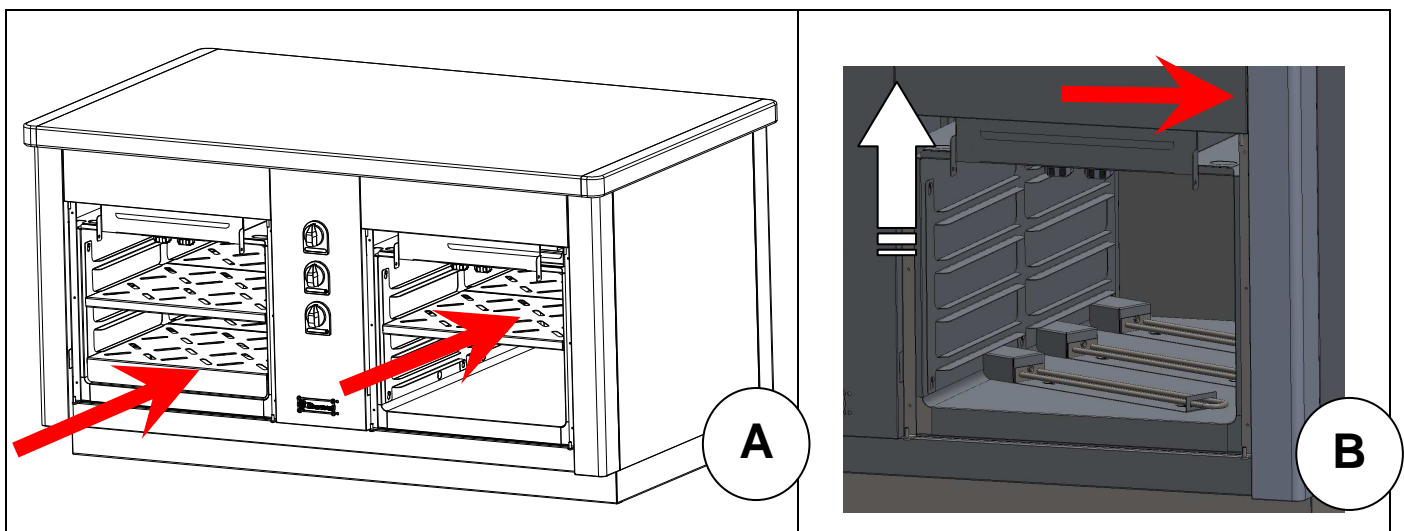
- Turn off the apparatus: After each service and before each cleaning operation, we advise you to disconnect the appliances from the mains.
- Wash with a sponge in soapy water (or any other neutral cleaning product).
- Do not use bleach or any other acidic product – even well diluted.

**Warning:** Dry carefully the tanks after each cleaning operation, then rub with a greasy cloth.

Note: Put back all the parts in correct position (sluice gate, etc.).

**This appliance must not be cleaned with mechanical water jets or be subject to a deluge of water under pressure. Check that the appliance is well disconnected at the mains.  
Do not start the apparatus on when the tank is empty.**

5.2. **Electric hot cupboard**



• **Cleaning the electric hot cupboard (GMC0083)**

- Open the door and remove the removable shelves (A).
- Push them up before pulling them to the middle (B).
- Clean the parts in hot soapy water.

**For best results, have your equipment serviced and cleaned on a regular basis by a qualified installer.**

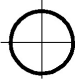

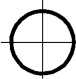

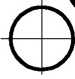
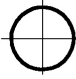
**WARNING: Factory-sealed components must be serviced by neither installer nor user. Only a qualified electrician should replace the parts.**

Call for your installer to replace the faulty electric components in preparation for a next use.



The manufacturer and the installer cannot be held responsible if the user neglects to ask for assistance in case of breakdown.

TRANSFER below the information written on the DATA PLATE of your apparatus.

		<b>CHARVET S.A.</b>	
		<b>38850 CHARAVINES</b>	
Réf.	<input style="width: 100%;" type="text"/>		
Code:	<input style="width: 50%;" type="text"/>	Type:	<input style="width: 50%;" type="text"/>
N°FC:	<input style="width: 50%;" type="text"/>		<input style="width: 50%;" type="text"/>
N°OF:	<input style="width: 50%;" type="text"/>	Rep.	<input style="width: 50%;" type="text"/>
Cat.	<input style="width: 100%;" type="text"/>		
Gaz	<input style="width: 25%;" type="text"/>	<input style="width: 25%;" type="text"/>	<input style="width: 25%;" type="text"/>
P (mbar)	<input style="width: 25%;" type="text"/>	<input style="width: 25%;" type="text"/>	<input style="width: 25%;" type="text"/>
$\Sigma Q_n$ (kW)	<input style="width: 25%;" type="text"/>	<input style="width: 25%;" type="text"/>	<input style="width: 25%;" type="text"/>
$\Sigma V_n$ (m <sup>3</sup> /h)	<input style="width: 25%;" type="text"/>	<input style="width: 25%;" type="text"/>	<input style="width: 25%;" type="text"/>
$\Sigma M_n$ (kg/h)	<input style="width: 25%;" type="text"/>	<input style="width: 25%;" type="text"/>	<input style="width: 25%;" type="text"/>
U	<input style="width: 50%;" type="text"/>	V	<input style="width: 50%;" type="text"/>
		Hz Ip	<input style="width: 50%;" type="text"/>
P	<input style="width: 50%;" type="text"/>	kW	<input style="width: 50%;" type="text"/>
	<input style="width: 100%;" type="text"/>		
	<b>MADE IN FRANCE</b>		

This will ease the communication between you and your supplier, and will help you with maintenance problems and spare parts.