



# HALF MODULE UNIT - PASTA COOKER ON OPEN BASE

**Pro 1000**

## Summary

<b>Energy : ELEC</b>	<b>Code : V02927</b>	<b>B-E1CUIPAT1/1</b>
----------------------	----------------------	----------------------

**W x D x H (mm) : 500 X 1000 X 900 mm**  
**Voltage/Electrical P. : 3~400V+N+E / 11 kW**

## Description of the device

### General description

#### Chassis :

Support frame in AISI 304 stainless steel, thickness 15 to 30/10, assembled by high intensity electric welds.

#### Top :

Top (frame) in AISI 304 stainless steel, 30/10 thickness, with 55 mm front flanged edge and counter-fold.

#### Feet :

Feet, height 200 mm, in AISI 304 stainless steel tube, diameter 60 mm with adjustable bases (0 / + 30).



#### Above :

- . 1 stainless steel tank with double perforated bottom.
- . Interior dimensions of the tank: W 305 x D 520 H 230 mm.
- . Heating by removable immersion heater power 11 kW, controlled by an electronic thermostat.
- . Power indicator.
- . Starch washing device and sprinkler.
- . Drainage area for baskets with removable grids.
- . Discharge tube, making the tank drain plug.
- . Supplied with: 6 GN 1/6 baskets in stainless steel with insulating handle.
- . Optional automatic basket lifting.

#### Basement :

- . Open bay with removable F17 TI stainless steel floor.

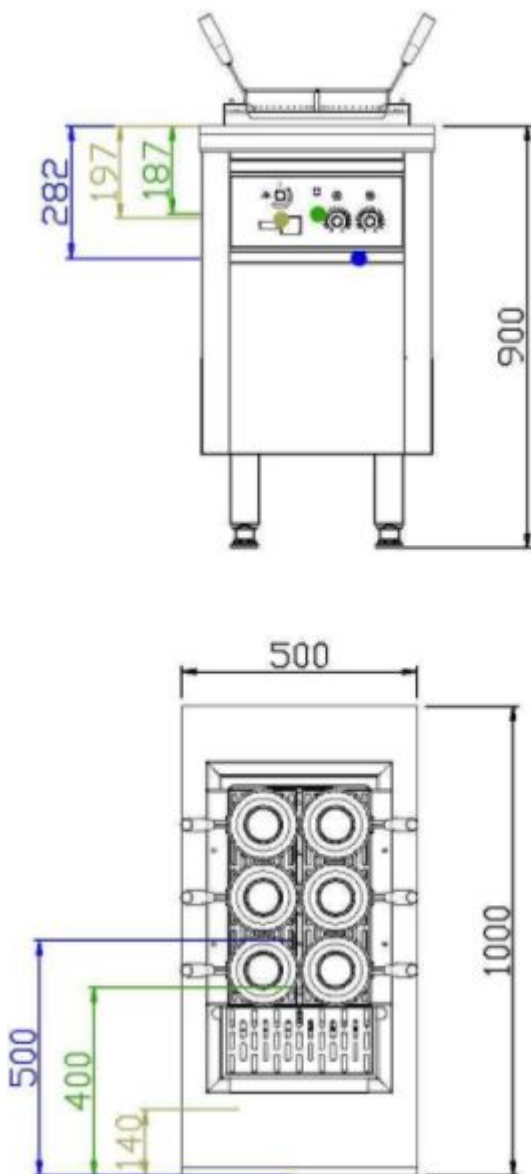
<b>Natural gas flow G20/20 :</b>	-
<b>Propane gas flow G31/37 :</b>	-

<b>Dimensions (mm) :</b>	<b>Voltage/Electrical P. :</b>	<b>Power :</b>	<b>Weight :</b>
500 X 1000 X 900 mm	3~400V+N+E / 11 kW	11 kW	- kg

OPTIONS	CODE
Hinged doors - for open base	V02007
S/S rear panel fitted in factory - W : 840 x H : 645 mm	V01184
S/S clip on plinth panel - H : 170 mm for standard legs	V01190
Automatic lift for baskets - 1-230 V+E	V02929
-	-
-	-
-	-
-	-
-	-

ACCESSORIES	CODE
-	-
-	-
-	-





### ELECTRICITE 11 kW

- tension: 3/400 + T
- cable au sol type "haute température", longueur disponible: 3.00 m
- nombre de cable(s): 1

	Connexion Gaz
	Connexion électrique
	Options
	Connexion eau froide
	Connexion eau chaude
	Évacuation eau usées



LES AUTHENTIQUES DE LA CUISSON

**CHARVET**

1170 rue principale - BP3 - 38850 Charavines - FRANCE

Tél: +33 (0)4 76 06 64 22 - info@charvet.fr

[www.charvet.fr](http://www.charvet.fr)



YouTube

