



**HALF MODULE UNIT - WOK TORCH**

**OPEN CUPBOARD GN 1/1**

**EXTEND Concept**

**Summary**

**Energy :**

**GAS**

**Code :**

**GMC0248**

**Designation :**

**NA**

**Dimensions (W x P x H) : 525 x 1000 x 900 mm**

**Power : 21 kW (gas)**

**Voltage/Electric p. : 1-230V+E**

**Weight :**

## DEVICE DESCRIPTION

### General description

**Chassis :**

. One-piece seam welded stainless steel chassis 3 mm thick duct at the back AISI 430 TI (F17 titan).

**Top :**

. AISI 430 Ti stainless steel top 3 mm thick (F17 tan) with a 55mm high edge and return to underside.

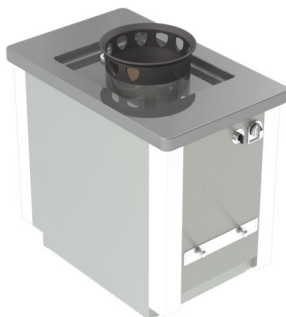
**General :**

. AISI304 side and front panels 1.2mm thick polished in line, no visible screws.

. Bright polished stainless steel corner column 1.2mm thick.

. Chrome coated dial indicator and knob.

. Mechanical assembly of the frames behind removable panels.



**Above :**

. Cauldron size 30/10 with cold water supply by nozzle and fitted with a drain plug with filter basket in the lower part at the back.

. Water supply by solenoid valve.

. Central nozzle diam. 300 mm x height 350 mm in AISI 304 stainless steel th. 30 to 60/10, torch burner with pilot light and safety thermocouple, controlled by a gas valve with backlash type `` stop / ignition / full fire / idle "power : 21 kW.

. Removable cast iron container support.

. AISI 304 stainless steel cleanliness drawer on the front.

. Refractory cement inside the cylindrical.

. Knee control as standard.

**Natural gas flow G20/20 :**

**Propane gas flow G31/37 :**

### OPTIONS

### CODE

1 electric socket 1~230V+ E

GMC0117

2 electric sockets 1~230V + E - (1 on each face)

GMC0118

Electric spark ignition - for open burners

Included

### ACCESSORIES

### CODE

Joining kit for 2 modules - module assembly

GMC0074

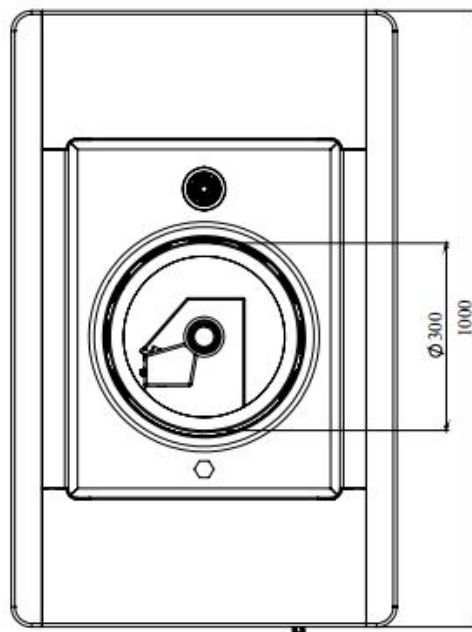
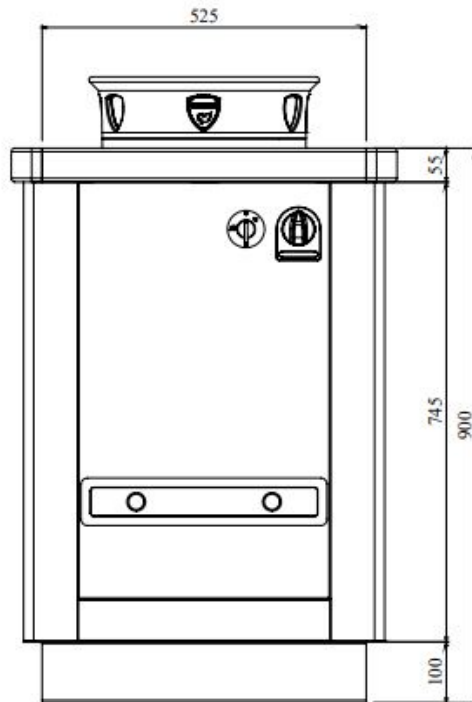
Top extension kit - for a central cooking suite

GMC0075

Rear filler strip kit - for module installed against a wall

GMC0097





LES AUTHENTIQUES DE LA CUISSON

**CHARVET**

1170 rue principale - BP3 - 38850 Charavines - FRANCE

Tél: +33 (0)4 76 06 64 22 - info@charvet.fr

[www.charvet.fr](http://www.charvet.fr)

